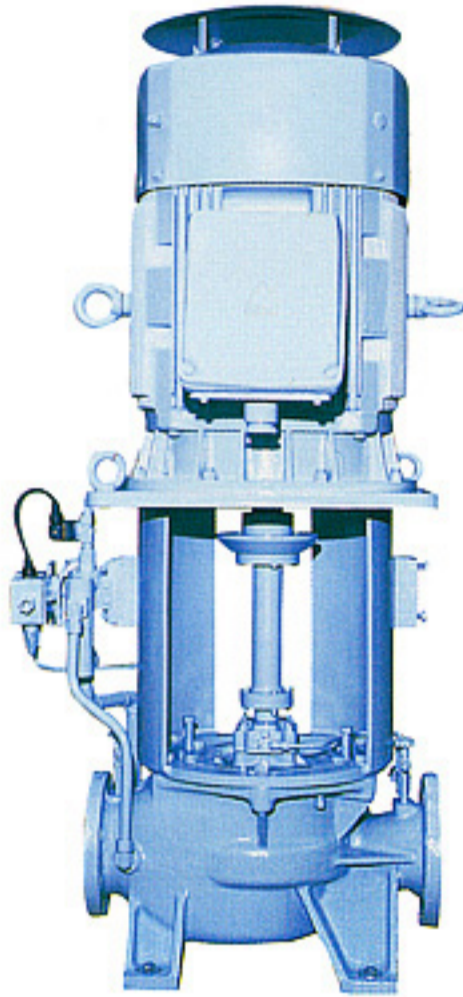


# SHIN SHIN MARINE



 SHIN SHIN MACHINERY CO., LTD.



### ■ Applications

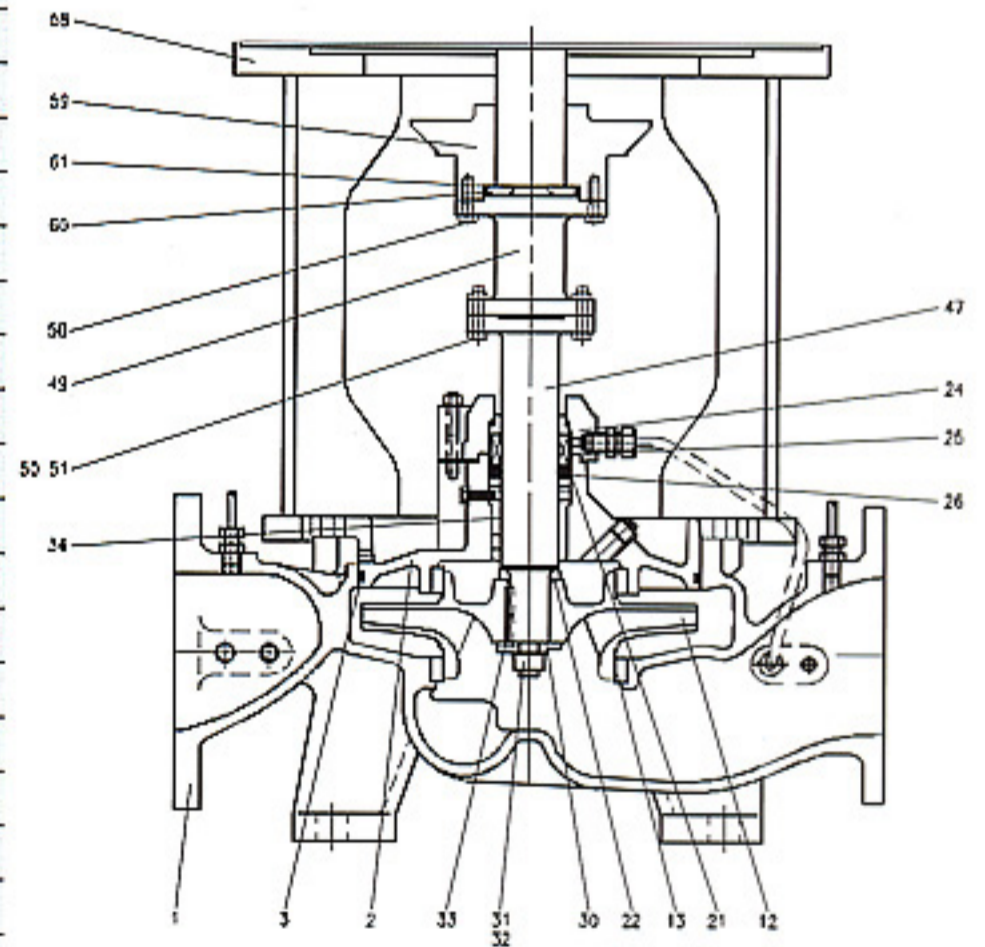
- Fire and general service pump
- Piston cooling fresh water pump
- Emergency fire pump
- Others

### ■ Principal Particulars (single suction)

Item	Model	VF 125
Rotation		Clockwise viewed from driver end
Suction bore	(mm)	125
Discharge bore	(mm)	125
Stuffing box seal		mechanical seal
Weight	GC(BC)	(kg) 524(537)

### ■ Standard Materials

ITEM No.	NAME OF PATE	For Fresh Water		PEQ. NO. FOR 1 PUMP
		Name	KS	
1	PUMP CASING	BRONZE	BC6	
2	INNER COVER	BRONZE	BC6	1
3	'O' RING	NBR		1
12	IMPELLER	PHOSPHORE BRONZE	PBC2	1
13	CASE WEAR RING	BRONZE	BC3	2
21	MEACHANICAL SEAL			1
22	SPRING SLEEVE	STAINLESS STEEL	STS304	1
24	SEAL PLATE	BRONZE	BC6	1
25	JOINT	NON-ASBESTOS		1
25	COLLAT	STAINLESS STEEL	STS304	1
30	IMPELLER RETAINNING WASER	STAINLESS STEEL	STS304	1
31	LOCK WASHER	MONEL		1
32	IMPELLER RETAINING NUT	STAINLESS STEEL	STS304	1
33	IMPELLER KEY	STAINLESS STEEL	STS304	1
34	BEARING BUSH	CARBON		1
47	PUMP SHAFT	STAINLESS STEEL	STS304	1
49	COUPLING SPACER	DUCTILE CAST IRON	GCD45	1
50	COUPLING BOLT	CO.MO STEEL	SCM440	8
51	STIFF NUT	CARBON STEEL	SM45C	8
58	MOTOR SUPPORT	STEEL	SS41	1
59	MOTOR COUPLING	DUCTILE CAST ITON	GCD45	1
60	MOTOR COUPLING WASHER	STEEL	SS41	1
61	RETAINING SCREW	CARBON STEEL	LMnSC5B	1



■ Applications

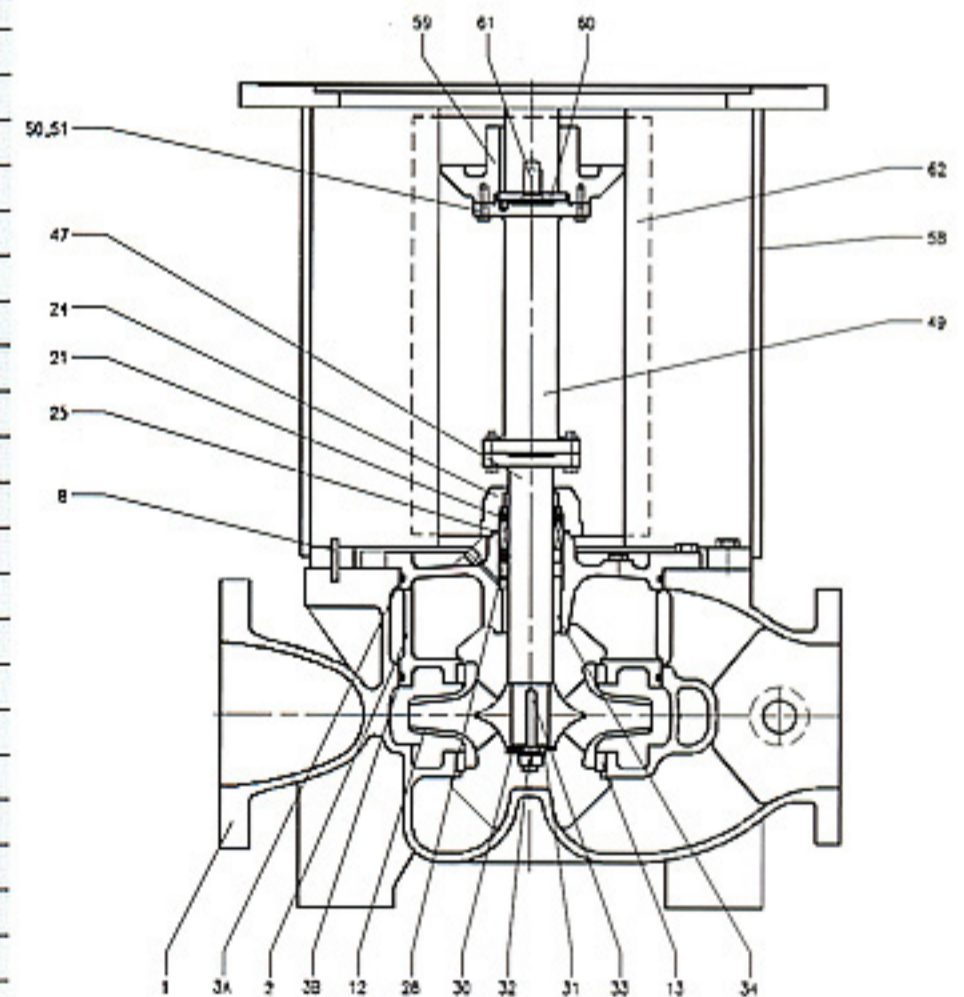
- Fire and general service pump
- Piston cooling fresh water pump
- Emergency fire pump
- Others

■ Principal Particulars ( Double Suction )

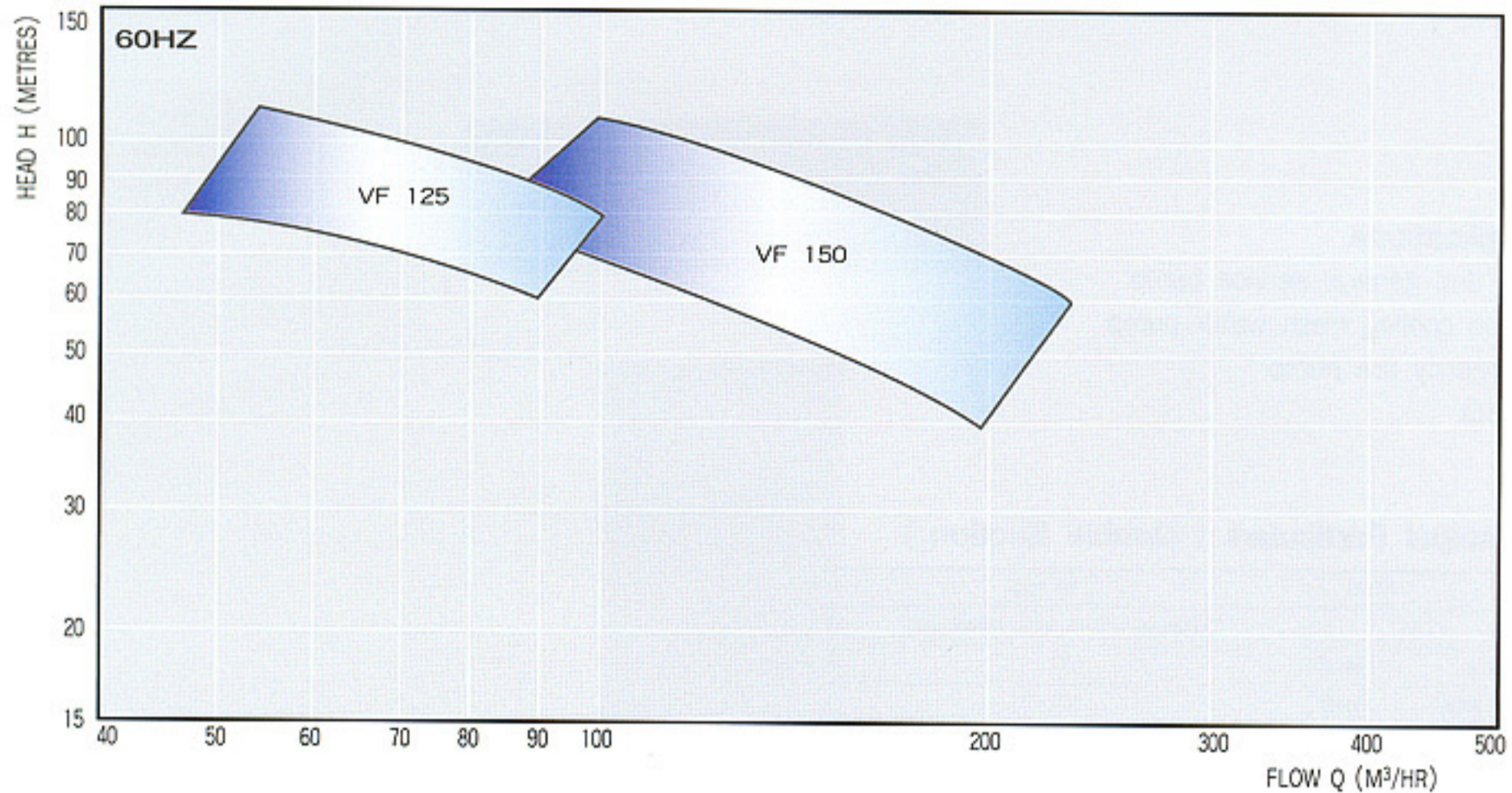
Item	Model	VF 150
Rotation		Clockwise viewed from driver end
Suction bore	(mm)	150
Discharge bore	(mm)	150
Stuffing box seal		mechanical seal
Weight	GC(BC) (kg)	260(300)

■ Standard Materials

ITEM No.	NAME OF PATE	MATERIAL		REQ. NO. FOR 1 PUMP
		Name	KS	
1	CASING	BRONZE	BC6	
2	TOP COVER	BRONZE	BC6	1
3A	'O' RING-(UPPER)	NBR		1
3B	'O' RING-(LOWER)	NBR		1
8	DOWEL	CARBON STEEL	SM45C	2
12	IMPELLER	PHOSPHORE BRONZE	PBC2	1
13	CASE WEAR RING	BRONZE	BC3	2
21	MEACHANICAL SEAL			1
24	SEAL PLATE	BRONZE	BC6	1
22	SPRING SLEEVE	STAINLESS STEEL	STS304	1
24	SEAL PLATE	BRONZE	BC6	1
25	JOINT	NON-ASBESTOS		1
26	SEAL RETAINING RING	STAINLESS STEEL	STS304	1
30	RETAINING WASHER	STAINLESS STEEL	STS304	1
31	LOCK WASHER	MONEL		1
32	RETAINGING NUT	STAINLESS STEEL	STS304	1
33	KEY	STAINLESS STEEL	STS304	1
34	BEARING BUSH	CARBON		1
47	PUMP SHAFT	STAINLESS STEEL	STS304	1
49	COUPLING SPACER	DUCTILE CAST IRON	GCD45	1
50	COUPLING BOLT	CR.MD.STEEL	SCM440	8
51	NUT-SELF LOCKING	CARBON	SM45C	8
58	MOTOR SUPPORT	STEEL	SS41	1
59	MOTOR COUPLING	DUCTILE CAST IRON	GCD45	1
60	RETAINING WASHER	STEEL	SS41	1
61	MOTOR COUPLING FASTENER	CARBON STEEL	LMnSC5B	1
62	GUARD	STEEL	SS41	1



## ■ Selection Chart

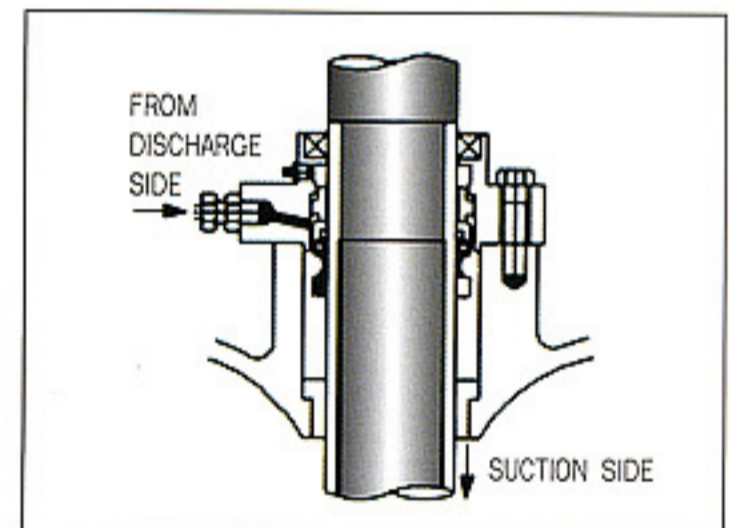


## ■ Stuffing Box Seal

The stuffing box is fitted with mechanical seal only.

### Fitted with mechanical seal

Flushing water is led to the stuffing box from the discharge side after removing foreign matter, and returned to suction side through throttle bush after flushing mechanical seal.



## ■ Vacuum pump unit

When a self priming system is required, a vacuum pump unit driven by pump motor through the provided clutch.

During the pump operation, vacuum pump is stopped automatically by releasing the clutch in accordance with the handling water pressure.

## ■ Standard Accessories

- Discharge pressure gauge ..... 1
- Suction compound gauge ..... 1
- Gauge board ..... 1
- Gauge root valve ..... 2
- Sealing pipe ..... 1 set
- Return pipe ..... 1
- Vacuum unit(for self priming pump) ..... 1 set

## ■ Standard Accessories

- 1 pump set of the following spare is supplied for 1 ship.
- Gland packing or mechanical seal
- Coupling bolt, nut & washer, rubber ring
- Complete set of rotating element(if required)

**Screw at the motor shaft end  
(Bolt for fixing is supplied by shin shin)**

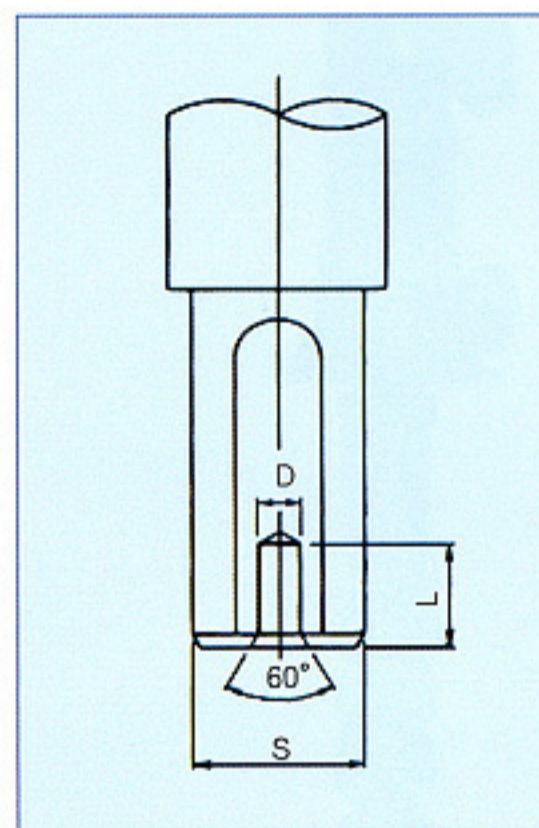
In order to support the pump rotating element the shaft end must be provided with threaded hole for fitting the motor coupling.

**Rectangularity and eccentricity for motor flange**

The rectangularity of the flange face relative to the axis and the eccentricity of the flange fitting outside diameter must be less than 0.127mm when read from a dial indicator.

**Shaft end deflection**

The shaft end deflection must be less than 0.05mm when read from a dial indicator.

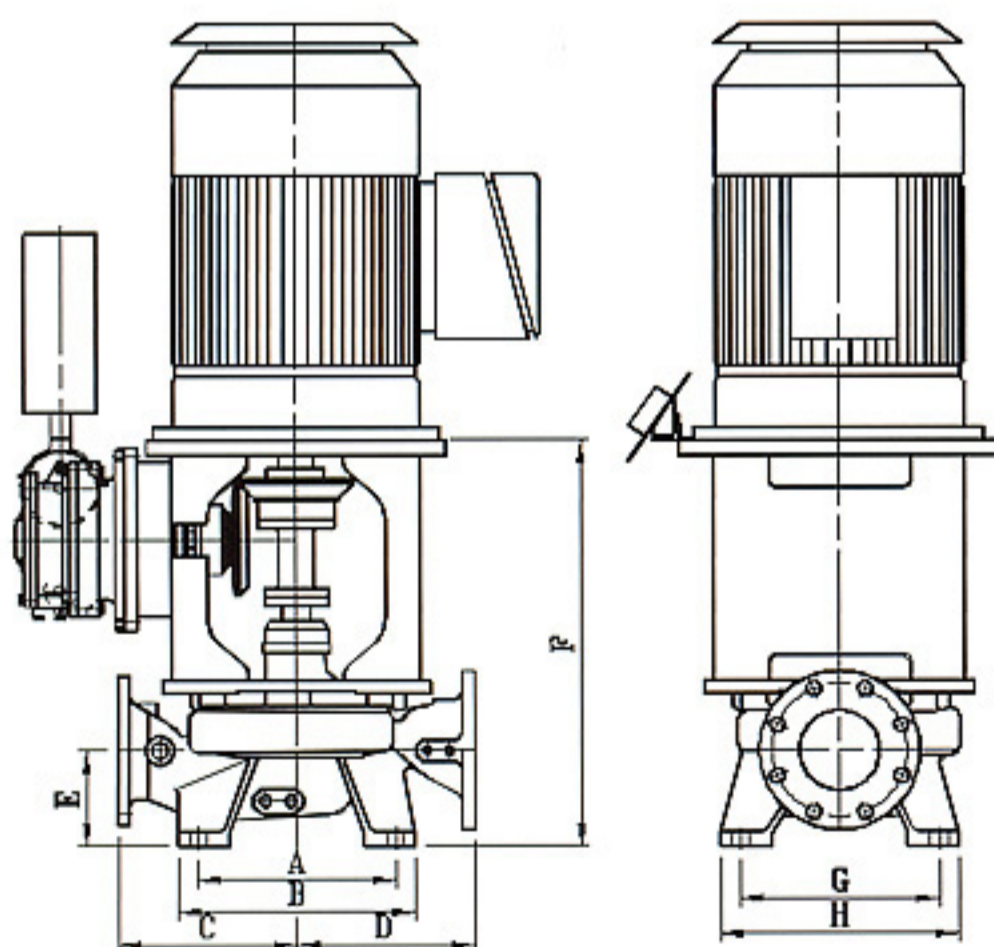


Unit:mm

Motor Shaft(S)	D	Lmin
~38(7.5KW)	M12	22
~48(22KW)	M16	22
~85(150KW)	M16	22

■ Dimension For Fire 8 G/S pump

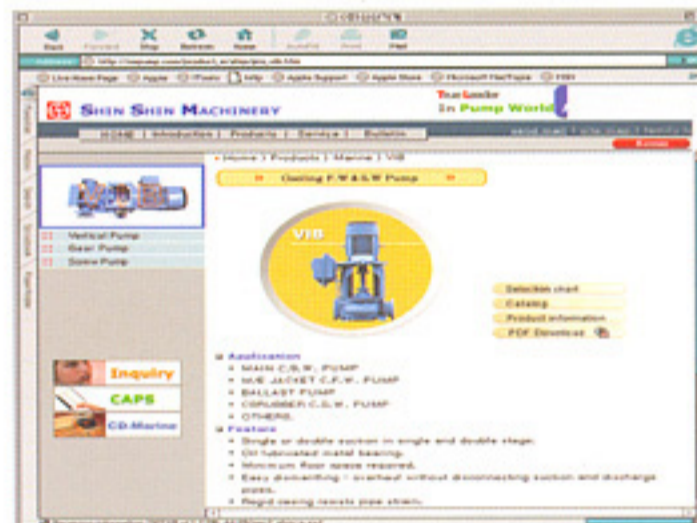
	A	B	C	D	E	F	G	H
VF 125	310	370	280	280	150	635	310	370
VF 150	390	480	320	320	200	856	390	480





Homepage : <http://www.sspump.com>

E-mail : [sales@sspump.com](mailto:sales@sspump.com)



## SHIN SHIN MACHINERY CO., LTD.

### Head Office & Factory

940-13 Yerim-ri, Chongwan-Myen, Gijang-Gun, Pusan, Korea.

Phone : (051) 727-5300~4

Telefax: (051) 727-5305~8

### Seoul Office

Phone : +82-2-752-8419/8403, 778-8832

Telefax: -82-2-755-3156