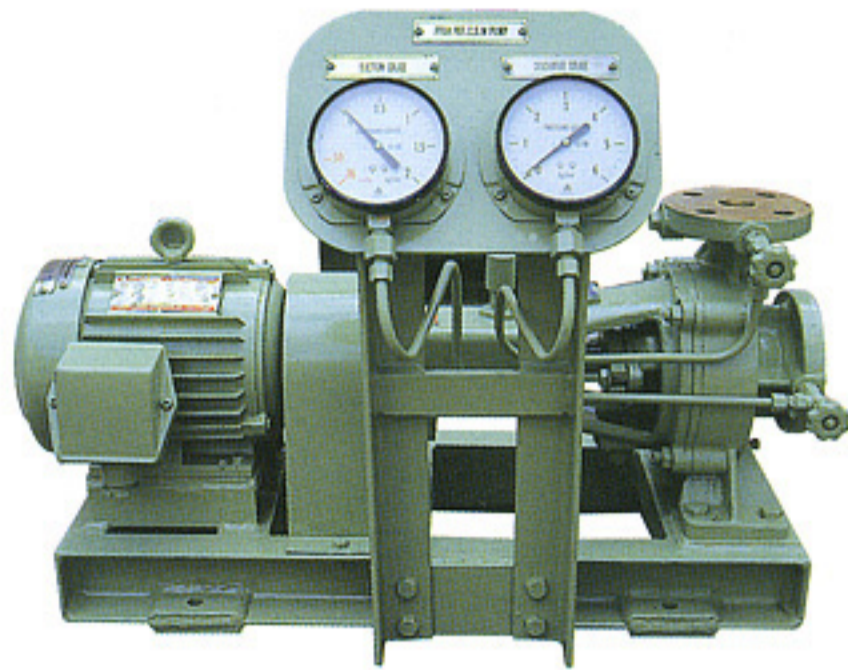


# SHIN SHIN MARINE



 SHIN SHIN MACHINERY CO., LTD.



### ■ Applications

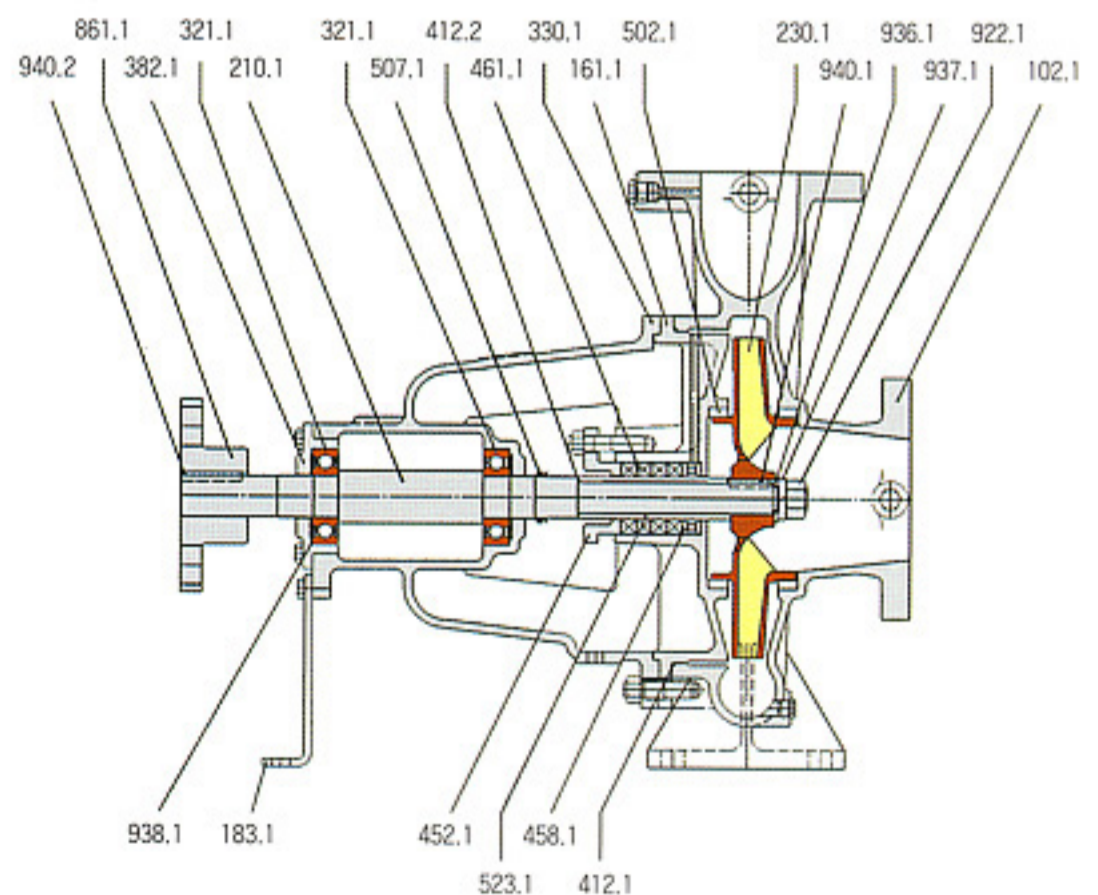
- Air conditioning ref. cooling pump
- Refrigerator cooling pump
- Miscellaneous cooling pump
- Others

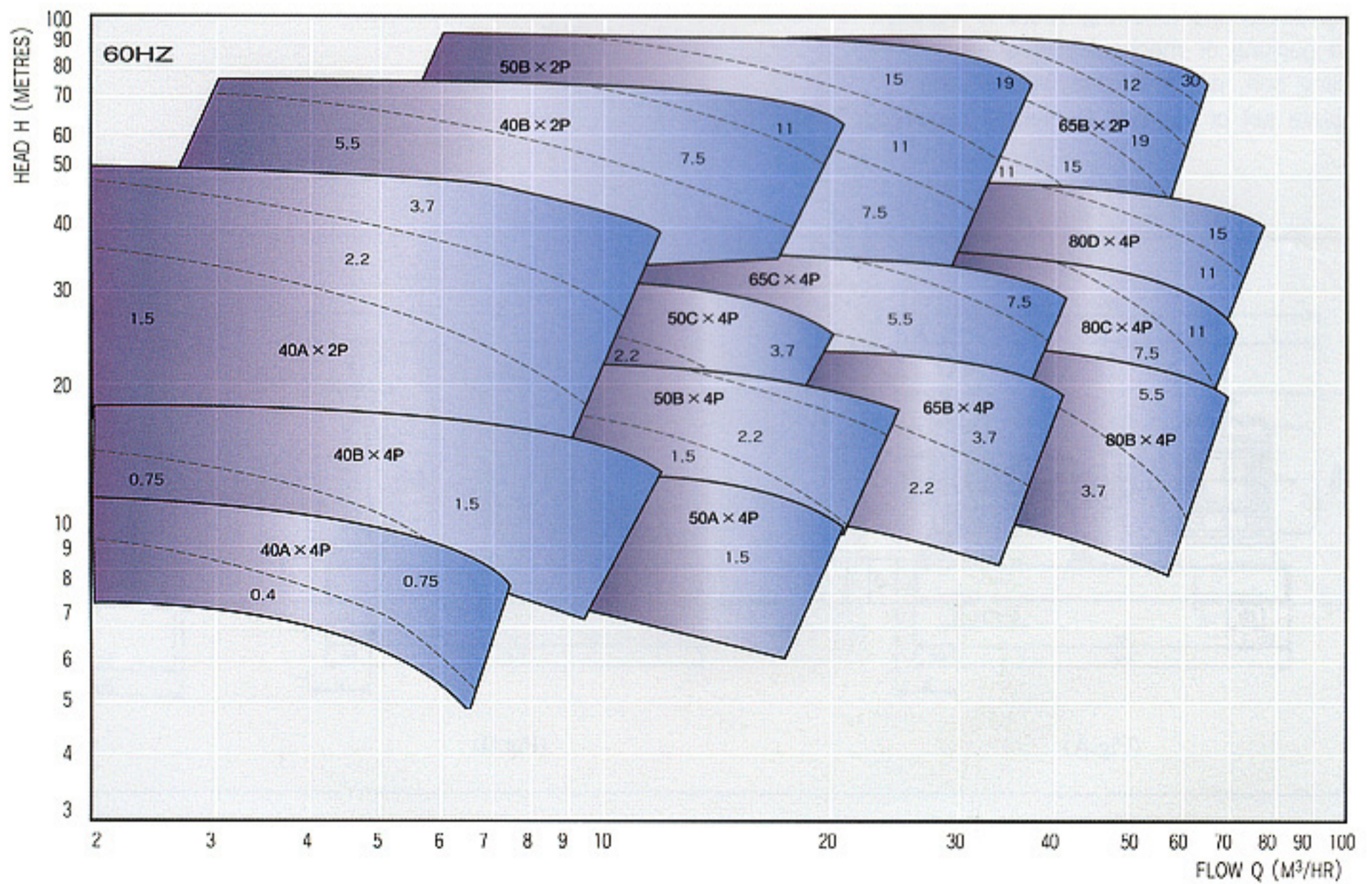
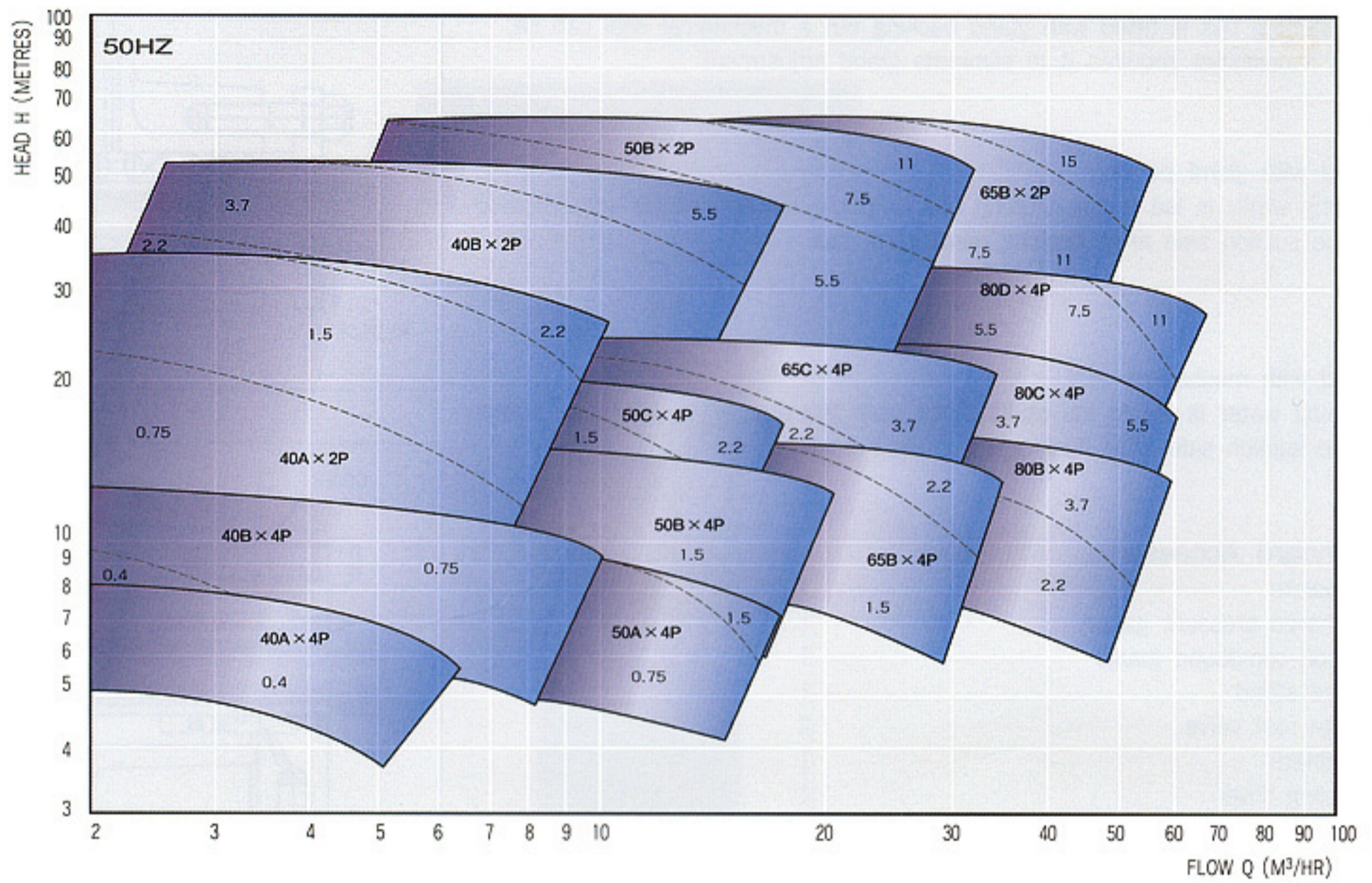
### ■ Principal Particulars

| Item                | Model  | EHC40A                           | EHC40B | EHC50A | EHC50B | EHC50C | EHC65B | EHC65C | EHC80B | EHC80C | EHC80D |
|---------------------|--------|----------------------------------|--------|--------|--------|--------|--------|--------|--------|--------|--------|
| Rotation            |        | Clockwise viewed from driver end |        |        |        |        |        |        |        |        |        |
| Suction bore (mm)   |        | 40                               | 40     | 50     | 50     | 50     | 65     | 65     | 80     | 80     | 80     |
| Discharge bore (mm) |        | 32                               | 32     | 40     | 40     | 40     | 50     | 50     | 65     | 65     | 65     |
| Ball bearing        | Radial | 6304                             | 6305   | 6304   | 6305   | 6305   | 6305   | 6305   | 6305   | 6307   | 6308   |
|                     | thrust | 6305                             | 6306   | 6305   | 6306   | 6306   | 6306   | 6306   | 6306   | 6307   | 6308   |
| Service life (hr)   |        | Abv. 20,000hr                    |        |        |        |        |        |        |        |        |        |
| Stuffing box seal   |        | Gland packing or mechanical seal |        |        |        |        |        |        |        |        |        |
| Weight GC(BC)       | (kg)   | 24(27)                           | 32(36) | 26(30) | 37(42) | 60(67) | 43(49) | 60(67) | 49(56) | 67(74) | 73(80) |

### ■ Standard Materials

| Part No. | Name Of Part       | REQ. NO. FOR PUMP | For Fresh Water |        | For Sea Water   |        |
|----------|--------------------|-------------------|-----------------|--------|-----------------|--------|
|          |                    |                   | Name            | KS     | Name            | KS     |
| 102.1    | VOLUTE CASING      | 1                 | CAST IRON       | GC200  | BORNZE          | BC6    |
| 161.1    | CASING COVER       | 1                 | CAST IRON       | GC200  | BORNZE          | BC6    |
| 183.1    | SUPPORT            | 1                 | STEEL           | SS41   | STEEL           | SS41   |
| 210.1    | SHAFT              | 1                 | STAINLESS STEEL | STS304 | STAINLESS STEEL | STS304 |
| 230.1    | IMPELLER           | 1                 | PHOSPHOR BRONZE | PBC2   | PHOSPHOR BRONZE | PBC2   |
| 321.1    | BALL BEARING       | 1                 | BEARING STEEL   | STB2   | BEARING STEEL   | STB2   |
| 321.2    | BALL BEARING       | 1                 | BEARING STEEL   | STB2   | BEARING STEEL   | STB2   |
| 330.1    | BEARING HOUSING    | 1                 | CAST IRON       | GC200  | CAST IRON       | GC200  |
| 382.1    | BEARING CASE       | 1                 | CAST IRON       | GC200  | CAST IRON       | GC200  |
| 412.1    | O-RING             | 1                 | EPDM            |        | EPDM            |        |
| 412.2    | O-RING             | 1                 | EPDM            |        | EPDM            |        |
| 452.1    | PACKING GLAND      | 1                 | CAST IRON       | GC200  | CAST IRON       | GC200  |
| 458.1    | LANTERN RING       | 1                 | BRONZE          | BC6    | BRONZE          | BC6    |
| 461.1    | PACKING            | 4                 | NON METALLIC    |        | NON METALLIC    |        |
| 502.1    | CASING WEAR RING   | 2                 | BRONZE          | BC6    | BRONZE          | BC6    |
| 507.1    | THROWER            | 1                 | NBR             |        | NBR             |        |
| 523.1    | SHAFT SLEEVE       | 1                 | STAINLESS STEEL | STS304 | STAINLESS STEEL | STS304 |
| 861.1    | COUPLING HALF      | 1                 | CAST IRON       | GC200  | CAST IRON       | GC200  |
| 922.1    | IMPELLER NUT       | 1                 | STAINLESS STEEL | STS304 | STAINLESS STEEL | STS304 |
| 936.1    | PLAIN WASHER       | 1                 | STAINLESS STEEL | STS304 | STAINLESS STEEL | STS304 |
| 937.1    | SPRING LOCK WASHER | 1                 | STAINLESS STEEL | STS304 | STAINLESS STEEL | STS304 |
| 938.1    | WAVE SPRING        | 1                 | SPRING STEEL    | SPS6   | SPRING STEEL    | SPS6   |
| 940.1    | IMPELLER KEY       | 1                 | STAINLESS STEEL | STS304 | STAINLESS STEEL | STS304 |
| 940.2    | COUPLING KEY       | 1                 | CARBON STEEL    | SM45C  | CARBON STEEL    | SM45C  |





### ■ Stuffing Box Seal

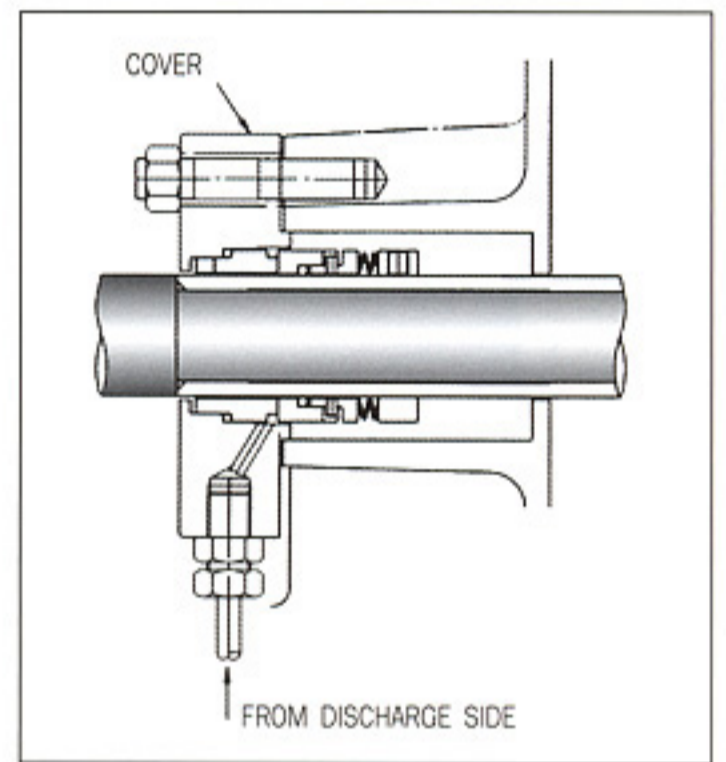
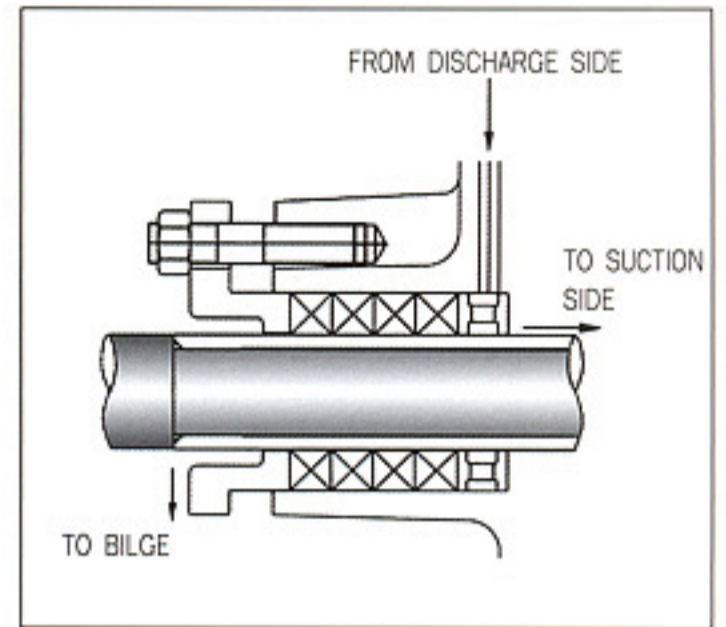
The stuffing box is fitted with gland packing but a mechanical seal can be fitted if customer requires it to eliminate gland adjustment

#### Fitted with gland packing

Sealing water is led to the stuffing box from the discharge side and returned to the suction side after flushing mechanical seal.

#### Fitted with mechanical seal

Flushing water is led to the stuffing box from the discharge side and returned to the suction side after flushing mechanical seal.

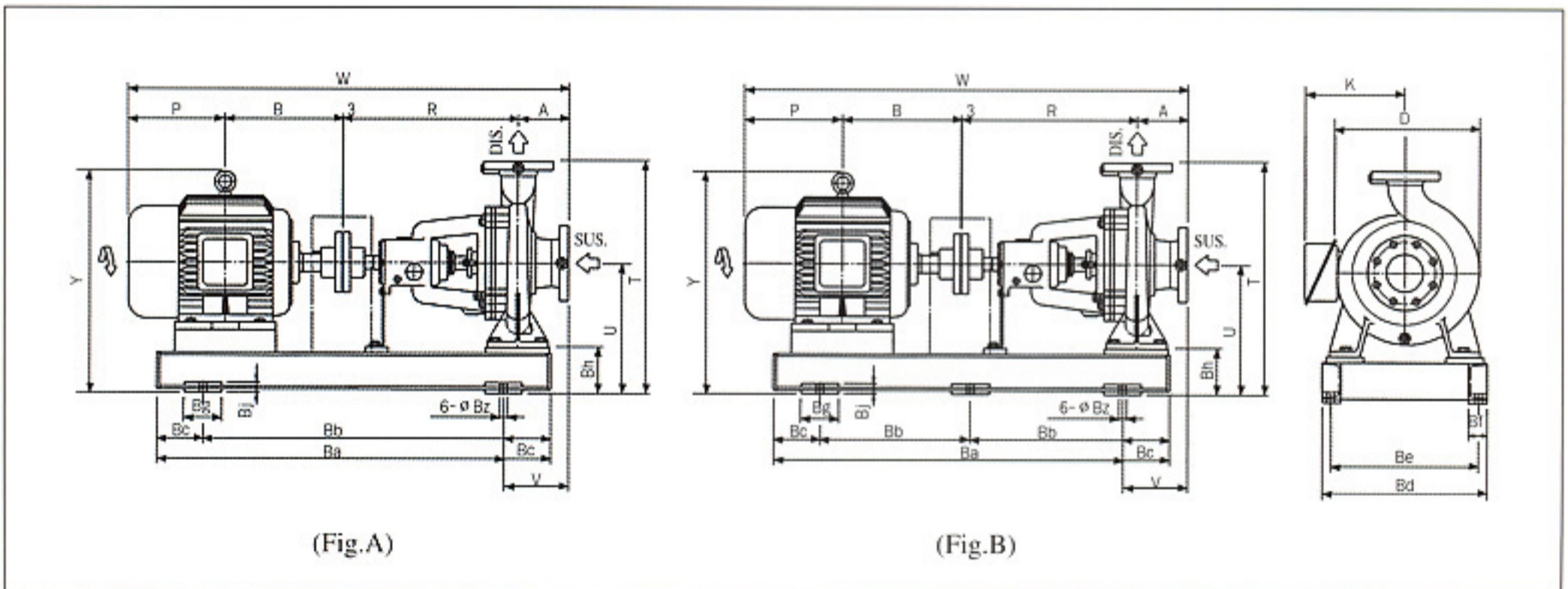


### ■ Standard Accessories

|                                |   |
|--------------------------------|---|
| Baseplate .....                | 1 |
| Discharge pressure gauge ..... | 1 |
| Suction compound gauge .....   | 1 |
| Gauge stand .....              | 1 |
| Gauge root valve .....         | 2 |
| Baseplate .....                | 1 |
| Coupling cover .....           | 1 |

### ■ Standard Spare Parts

- 1 pump set of the following spare is supplied for 1 ship.
- Gland packing or mechanical seal
- Coupling bolt, nut & washer, rubber ring
- Complete set of rotating element(if required)



WITH 1800rpm MOTOR

Dimensions for the standard unit driven by IEC standard motor

| Type    | FG | Motor |      | Bore(mm) |     | Size(mm) |     |     |     |     |     |     |     |     |      |     | Common(mm) |     |     |     |     |    |     |     | Weight(kg) |    |      | Cp/g<br>KBS<br>1552 |      |       |
|---------|----|-------|------|----------|-----|----------|-----|-----|-----|-----|-----|-----|-----|-----|------|-----|------------|-----|-----|-----|-----|----|-----|-----|------------|----|------|---------------------|------|-------|
|         |    | Kw    | rpm  | Suc      | Del | A        | B   | D   | K   | P   | R   | T   | U   | V   | W    | Y   | Ba         | Bb  | Bc  | Bd  | Be  | Bf | Bg  | Bh  | Bj         | Bz | Body |                     | Base | Motor |
| EHC 40B | A  | 0.75  | 1800 | 40       | 32  | 80       | 140 | 260 | 132 | 157 | 360 | 435 | 255 | 125 | 720  | 338 | 650        | 450 | 100 | 315 | 280 | 40 | 80  | 95  | 25         | 15 | 32   | 28                  | 14   | 125   |
|         |    | 1.5   |      |          |     |          | 169 |     | 158 |     |     |     |     | 145 | 771  | 355 |            |     | 700 |     |     |    |     |     |            |    |      |                     | 125  |       |
| EHC 50A | A  | 1.5   | 1800 | 50       | 40  | 80       | 169 | 228 | 158 | 157 | 360 | 387 | 227 | 145 | 771  | 327 | 700        | 450 | 125 | 290 | 255 | 40 | 80  | 95  | 25         | 15 | 26   | 28                  | 24   | 100   |
|         |    | 2.2   |      |          |     |          | 187 |     | 199 |     |     |     |     | 155 | 799  | 349 |            |     | 125 |     |     |    |     |     |            |    |      |                     | 32   |       |
| EHC 50B | A  | 1.5   | 1800 | 50       | 40  | 100      | 169 | 268 | 158 | 157 | 360 | 435 | 255 | 165 | 791  | 355 | 700        | 450 | 125 | 315 | 280 | 40 | 80  | 95  | 25         | 15 | 37   | 28                  | 24   | 125   |
|         |    | 2.2   |      |          |     |          | 187 |     | 199 |     |     |     |     | 175 | 819  | 377 |            |     | 125 |     |     |    |     |     |            |    |      |                     | 32   |       |
| EHC 50C | A  | 2.2   | 1800 | 50       | 40  | 100      | 187 | 340 | 199 | 169 | 360 | 500 | 275 | 152 | 819  | 397 | 750        | 500 | 125 | 350 | 315 | 40 | 80  | 95  | 25         | 15 | 60   | 28                  | 32   | 125   |
|         |    | 3.7   |      |          |     |          | 200 |     |     |     |     |     |     |     | 182  |     |            |     |     |     |     |    |     |     |            |    |      |                     | 845  |       |
| EHC 65B | A  | 2.2   | 1800 | 65       | 50  | 100      | 187 | 286 | 199 | 169 | 360 | 455 | 255 | 175 | 819  | 377 | 700        | 450 | 125 | 315 | 280 | 40 | 80  | 95  | 25         | 15 | 43   | 28                  | 32   | 125   |
|         |    | 3.7   |      |          |     |          | 200 |     |     |     |     |     |     |     | 182  |     |            |     |     |     |     |    |     |     |            |    |      |                     | 845  |       |
| EHC 65C | A  | 3.7   | 1800 | 65       | 50  | 100      | 200 | 340 | 199 | 182 | 360 | 500 | 275 | 152 | 845  | 397 | 750        | 500 | 125 | 350 | 315 | 40 | 80  | 95  | 25         | 15 | 60   | 28                  | 32   | 125   |
|         |    | 5.5   |      |          |     |          | 239 |     |     |     |     |     |     | 217 | 182  | 907 |            |     |     |     |     |    |     |     |            |    |      |                     | 465  |       |
| EHC 80B | A  | 3.7   | 1800 | 80       | 65  | 100      | 200 | 326 | 199 | 182 | 360 | 500 | 275 | 152 | 845  | 392 | 750        | 500 | 125 | 350 | 315 | 40 | 80  | 95  | 25         | 15 | 49   | 28                  | 32   | 125   |
|         |    | 5.5   |      |          |     |          | 239 |     |     |     |     |     |     | 217 | 182  | 907 |            |     |     |     |     |    |     |     |            |    |      |                     | 465  |       |
| EHC 80C | A  | 7.5   | 1800 | 80       | 65  | 100      | 258 | 364 | 217 | 224 | 470 | 570 | 320 | 185 | 1055 | 510 | 950        | 600 | 175 | 410 | 365 | 50 | 100 | 120 | 28         | 19 | 67   | 41                  | 70   | 140   |
|         |    | B     |      |          |     |          | 11  |     |     |     |     |     |     | 323 | 280  | 270 |            |     |     |     |     |    |     |     |            |    |      |                     |      |       |
| EHC 80D | B  | 11    | 1800 | 80       | 65  | 125      | 323 | 413 | 273 | 270 | 470 | 625 | 345 | 170 | 1191 | 573 | 1050       | 400 | 125 | 440 | 395 | 50 | 100 | 120 | 28         | 19 | 73   | 48                  | 108  | 160   |
|         |    | 15    |      |          |     |          | 345 |     |     |     |     |     |     |     | 292  |     |            |     |     |     |     |    |     |     |            |    |      |                     | 1235 |       |

WITH 3600rpm MOTOR

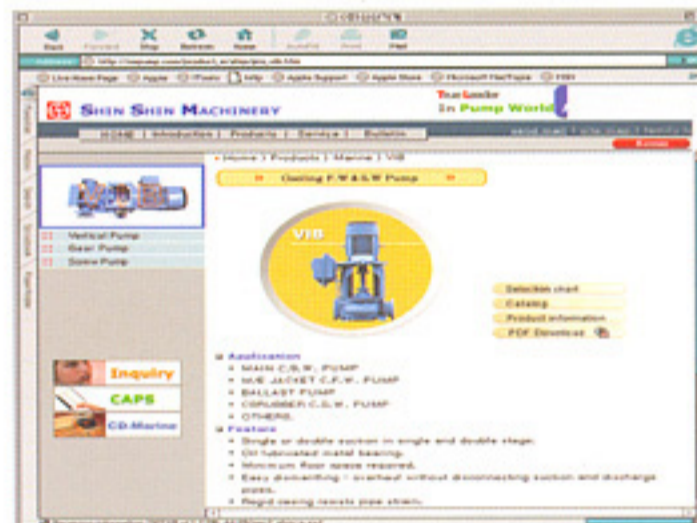
Dimensions for the standard unit driven by IEC standard motor

| Type    | FG | Motor |      | Bore(mm) |     | Size(mm) |     |     |     |     |     |     |     |     |      |     | Common(mm) |     |     |     |     |    |     |     | Weight(kg) |    |      | Cp/g<br>KBS<br>1552 |      |       |      |      |     |     |     |     |     |     |     |     |    |    |     |
|---------|----|-------|------|----------|-----|----------|-----|-----|-----|-----|-----|-----|-----|-----|------|-----|------------|-----|-----|-----|-----|----|-----|-----|------------|----|------|---------------------|------|-------|------|------|-----|-----|-----|-----|-----|-----|-----|-----|----|----|-----|
|         |    | Kw    | rpm  | Suc      | Del | A        | B   | D   | K   | P   | R   | T   | U   | V   | W    | Y   | Ba         | Bb  | Bc  | Bd  | Be  | Bf | Bg  | Bh  | Bj         | Bz | Body |                     | Base | Motor |      |      |     |     |     |     |     |     |     |     |    |    |     |
| EHC 40A | A  | 0.75  | 3600 | 40       | 32  | 80       | 140 | 207 | 132 | 137 | 360 | 387 | 227 | 125 | 720  | 312 | 700        | 450 | 125 | 290 | 255 | 40 | 80  | 95  | 25         | 15 | 24   | 28                  | 14   | 100   |      |      |     |     |     |     |     |     |     |     |    |    |     |
|         |    | 1.5   |      |          |     |          | 169 |     | 159 | 145 |     |     |     | 771 | 327  | 24  |            |     |     |     |     |    |     |     |            |    |      |                     |      |       |      |      |     |     |     |     |     |     |     |     |    |    |     |
|         |    | 2.2   |      |          |     |          | 187 |     | 169 | 155 |     |     |     | 799 | 349  | 32  |            |     |     |     |     |    |     |     |            |    |      |                     |      |       |      |      |     |     |     |     |     |     |     |     |    |    |     |
|         |    | 3.7   |      |          |     |          | 200 |     | 182 | 825 |     |     |     | 39  |      |     |            |     |     |     |     |    |     |     |            |    |      |                     |      |       |      |      |     |     |     |     |     |     |     |     |    |    |     |
| EHC 40B | A  | 5.5   | 3600 | 40       | 32  | 80       | 239 | 260 | 217 | 205 | 360 | 435 | 255 | 170 | 887  | 445 | 800        | 500 | 150 | 315 | 280 | 40 | 80  | 95  | 25         | 15 | 32   | 32                  | 56   | 140   |      |      |     |     |     |     |     |     |     |     |    |    |     |
|         |    | 7.5   |      |          |     |          | 259 |     |     |     |     |     |     |     | 224  |     |            |     |     |     |     |    |     |     |            |    |      |                     | 926  |       | 445  | 70   |     |     |     |     |     |     |     |     |    |    |     |
|         |    | 11    |      |          |     |          | 323 |     |     |     |     |     |     |     | 273  |     |            |     |     |     |     |    |     |     |            |    |      |                     | 270  |       | 1036 | 507  | 950 | 600 | 175 | 335 | 290 | 50  | 100 | 120 | 28 | 19 | 41  |
| EHC 50B | A  | 7.5   | 3600 | 50       | 40  | 100      | 259 | 268 | 217 | 224 | 360 | 430 | 255 | 190 | 946  | 445 | 800        | 500 | 150 | 315 | 280 | 40 | 80  | 95  | 25         | 15 | 37   | 32                  | 73   | 140   |      |      |     |     |     |     |     |     |     |     |    |    |     |
|         |    | 11    |      |          |     |          | 323 |     |     |     |     |     |     |     | 270  |     |            |     |     |     |     |    |     |     |            |    |      |                     | 1056 |       | 507  | 950  | 600 | 175 | 335 | 290 | 50  | 100 | 120 | 28  | 19 | 41 | 108 |
|         |    | 15    |      |          |     |          | 345 |     |     |     |     |     |     |     | 292  |     |            |     |     |     |     |    |     |     |            |    |      |                     | 1100 |       | 573  | 950  | 600 | 175 | 335 | 290 | 50  | 100 | 120 | 28  | 19 | 41 | 136 |
| EHC 65B | A  | 15    | 3600 | 65       | 50  | 100      | 345 | 286 | 273 | 292 | 360 | 480 | 280 | 215 | 1100 | 507 | 950        | 600 | 175 | 335 | 290 | 50 | 100 | 120 | 28         | 19 | 43   | 41                  | 136  | 160   |      |      |     |     |     |     |     |     |     |     |    |    |     |
|         |    | 19    |      |          |     |          | 352 |     |     |     |     |     |     |     | 295  |     |            |     |     |     |     |    |     |     |            |    |      |                     | 1100 |       | 546  | 1000 | 200 | 395 | 350 | 161 |     |     |     |     |    |    |     |
|         |    | 22    |      |          |     |          | 371 |     |     |     |     |     |     |     | 314  |     |            |     |     |     |     |    |     |     |            |    |      |                     | 1148 |       | 546  | 1000 | 200 | 395 | 350 | 45  | 177 | 180 |     |     |    |    |     |



Homepage : <http://www.sspump.com>

E-mail : [sales@sspump.com](mailto:sales@sspump.com)



## SHIN SHIN MACHINERY CO., LTD.

### Head Office & Factory

940-13 Yerim-ri, Chongwan-Myen, Gijang-Gun, Pusan, Korea.

Phone : (051) 727-5300~4

Telefax: (051) 727-5305~8

### Seoul Office

Phone : +82-2-752-8419/8403, 778-8832

Telefax: -82-2-755-3156