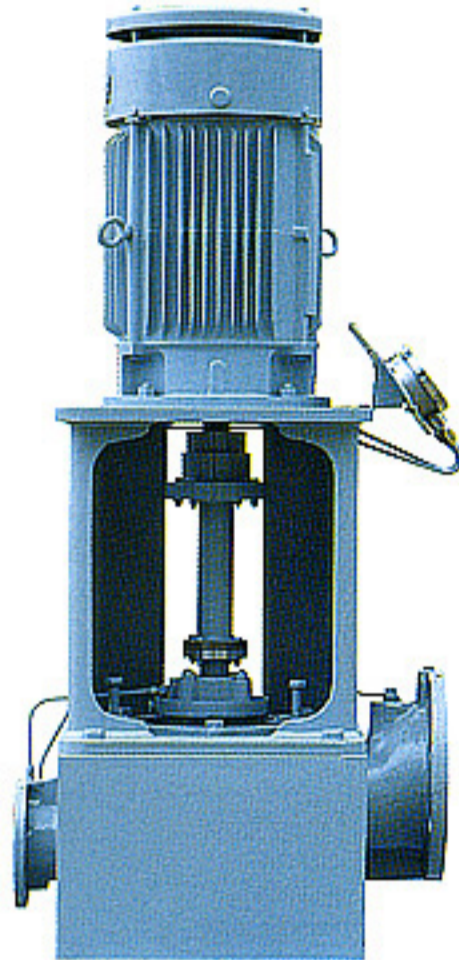


SHIN SHIN MARINE



 SHIN SHIN MACHINERY CO., LTD.



■ Applications

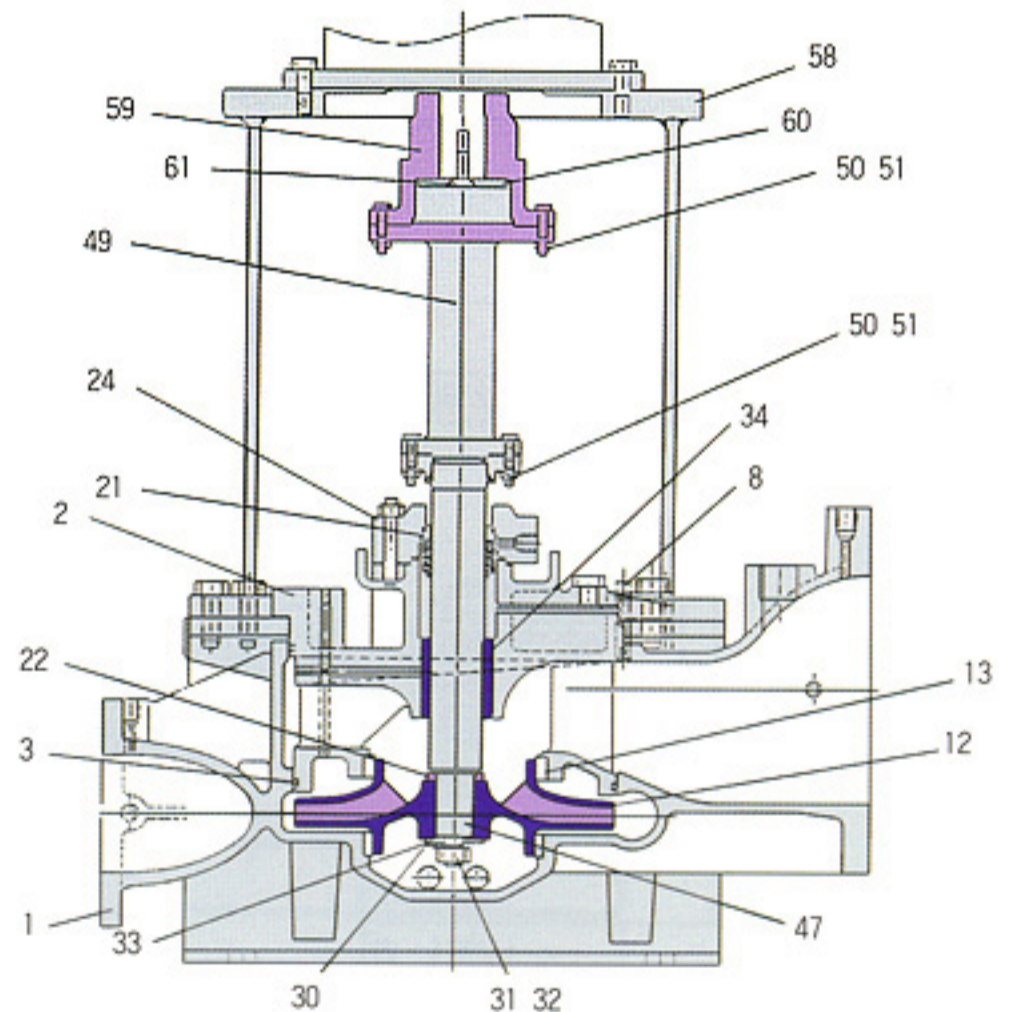
Condensate pump for turbo generator

■ Principal Particulars

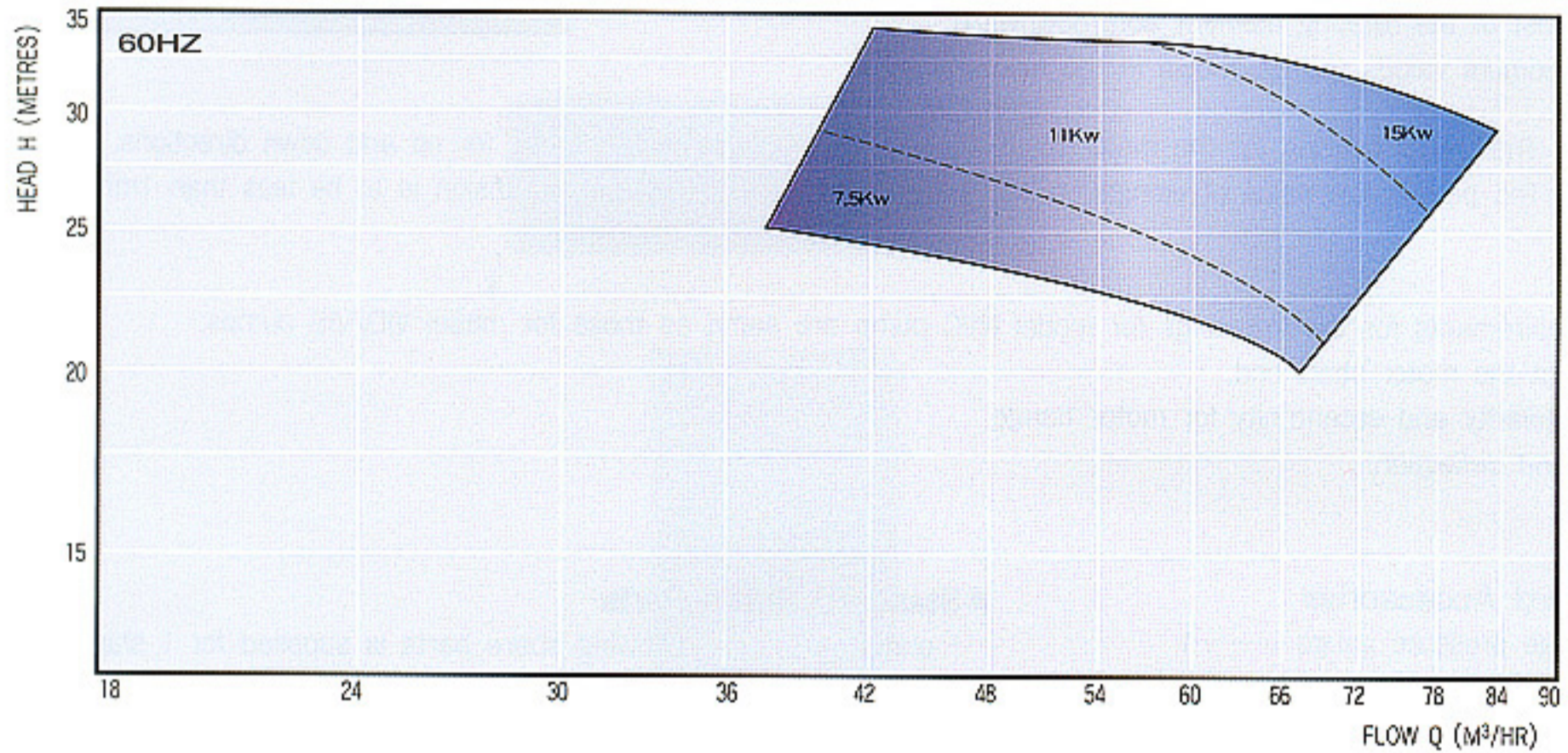
Item	Model	NVC 100
Rotation		Clockwise viewed from driver end
Suction bore(mm)		200
Discharge bore(mm)		100
Stuffing box seal		Grand packing or Mechanical seal
Weight GC(kg)		150
Water filled casing(kg)		26

■ Standard Materials

Part No.	Name Of Part	MATERIAL		REQ. NO. 1PUMP
		Name	KS	
1	PUMP CASING	CAST IRON	GC200	1
2	INNER COVER	CAST IRON	GC200	1
3	'O' RING	SYNTHETIC RUBBER		1
8	DOWEL	CARBON STEEL	SM45C	3
12	IMPELLER	STAINLESS STEEL	SSC13	1
13	CASE WEAR RING	BRONZE	BC6	2
21	MEACHANICAL SEAL			1
22	SPRING SLEEVE	STAINLESS STEEL	STS304	
24	SEAL PLATE	BRONZE	BC6	5
30	IMPELLER RETAINING WASHER	STAINLESS STEEL	STS304	1
31	LOCK WASHER	STAINLESS STEEL	STS304	1
32	IMPELLER RETAINING NUT	STAINLESS STEEL	STS304	1
33	IMPELLER KEY	STAINLESS STEEL	STS304	1
34	BEARING BUSH	CARBON		1
43	COUPLING SPACER	DUCTILE CAST IRON	STS304	1
47	PUMP SHAFT	STAINLESS STEEL	STS304	1
50	COUPLING BOLT	CR.MO STEEL	SCM440	8
51	STIFF NUT	CARBON STEEL	SM45C	8
58	MOTOR SUPPORT	STEEL	SS41	1
59	MOTOR COUPLING	DUCTILE CAST IRON	GCD400	1
60	MOTOR COUPLING WASHER	CARBON STEEL	SM45C	1
61	RETAINING SCREW	CARBON STEEL	SM45C	1



■ Selection Chart

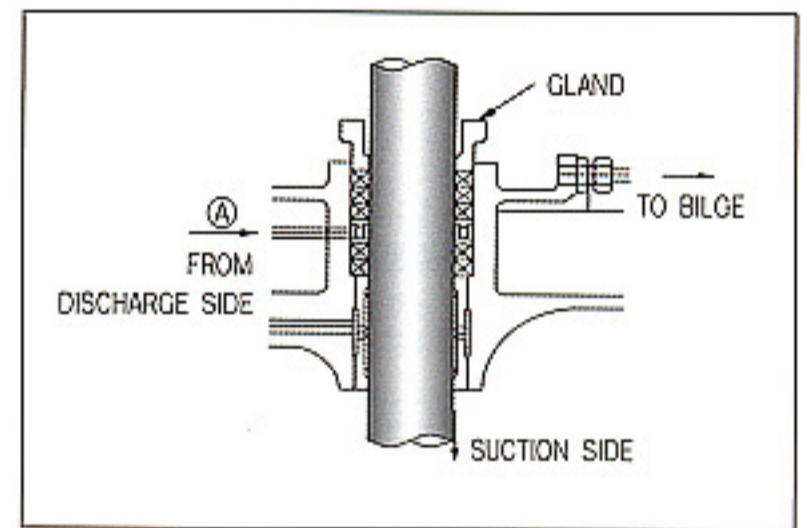


■ Stuffing Box Seal

The stuffing box is fitted with gland packing, but mechanical seal can be fitted if customer requires it to eliminate gland adjustment

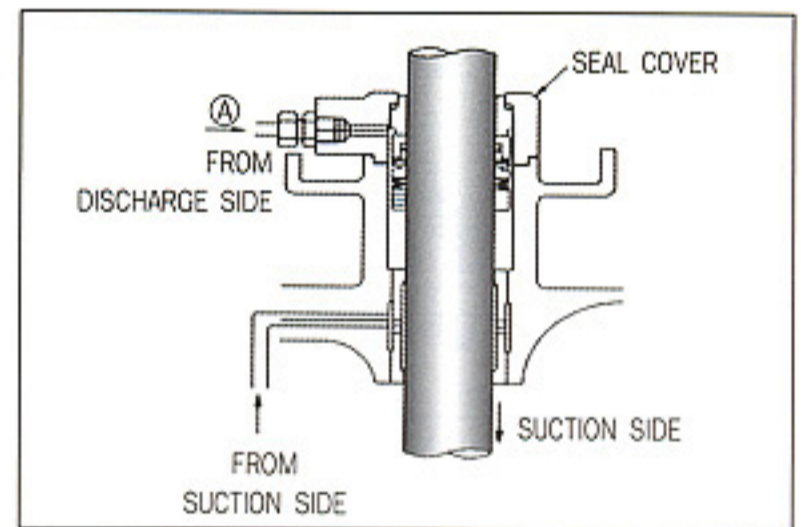
Fitted with gland packing

The common discharge line and (A) are connected and sealing water is led to the stuffing box and drained to the suction side and bilge after sealing gland packing.



Fitted with mechanical seal

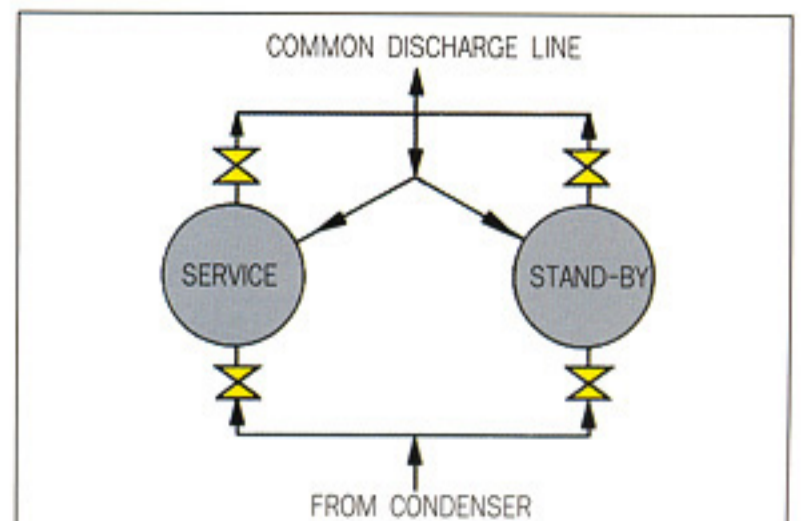
The common discharge line and (A) are connected and flushing water is led to the stuffing box and returned to the suction side after flushing mechanical seal.



■ Piping Diagram

In case 2 pumps are installed, using one as working pump and the other as stand-by pump, air will invade through the stuffing box of stand-by pump, impairing the performance of working pump.

In order to prevent this sealing is effected by leading pressure water from the common discharge line to the pump stuffing box.



■ Motor

The motor for this type of pump must satisfy the following conditions:

NVC CONDENSATE PUMP

Vertical single stage single suction

Unit: kg

Axial thrust

The thrust of the rotating element acts downward.
The maximum values are as shown in the following table.

Model	NVC100
Thrust downward	48

- Note: 1. The thrust bearing for the motor must be of the fixed type (below 0.7mm) for up and down directions.
2. The permissible value of elongation of the shaft end due to thermal expansion is to be less than 1mm.

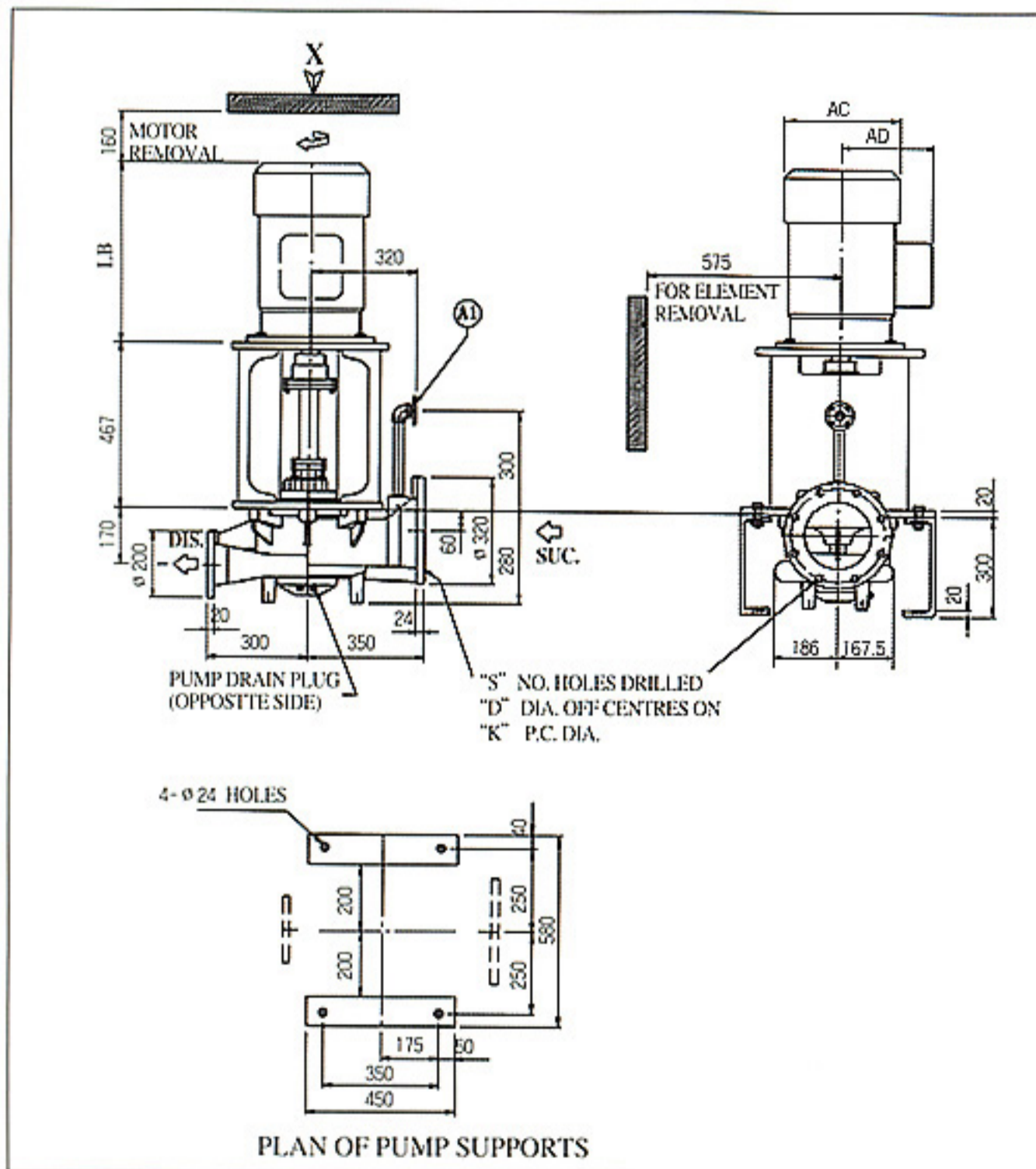
The requirements for the followings for model NVC pump are same as those for model VID/VIB pumps.
Screw at the motor shaft end.
Rectangularity and eccentricity for motor flange.
Shaft end deflection.

Standard Accessories

- Discharge pressure gauge.....1
- Suction compound gauge.....1
- Gauge board.....1
- Gauge root valve.....2

Standard Spare Parts

- 1 pump set of the following spare parts is supplied for 1 ship.
- Gland packing or mechanical seal
- Coupling bolt & nut
- Sleeve bearing
- Complete set of rotating element (if required)

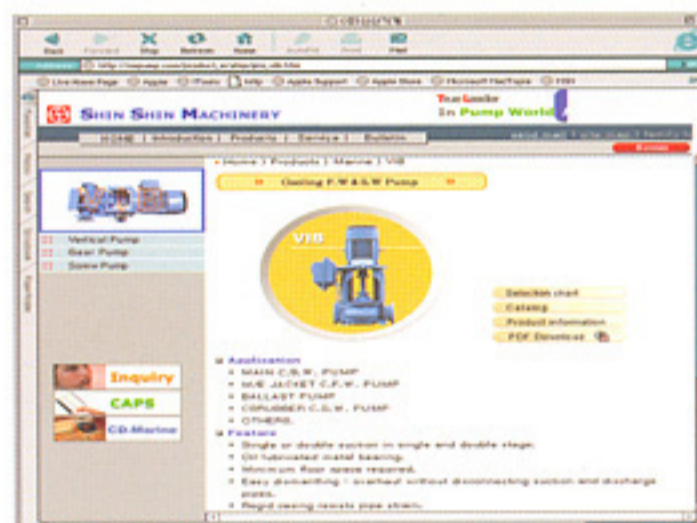


NVC



Homepage : <http://www.sspump.com>

E-mail : sales@sspump.com



SHIN SHIN MACHINERY CO., LTD.

Head Office & Factory

940-13 Yerim-ri, Chongwan-Myen, Gijang-Gun, Pusan, Korea.

Phone : (051) 727-5300~4

Telefax: (051) 727-5305~8

Seoul Office

Phone : +82-2-752-8419/8403, 778-8832

Telefax: -82-2-755-3156

