

CENTRIFUGAL PUMP

EMC



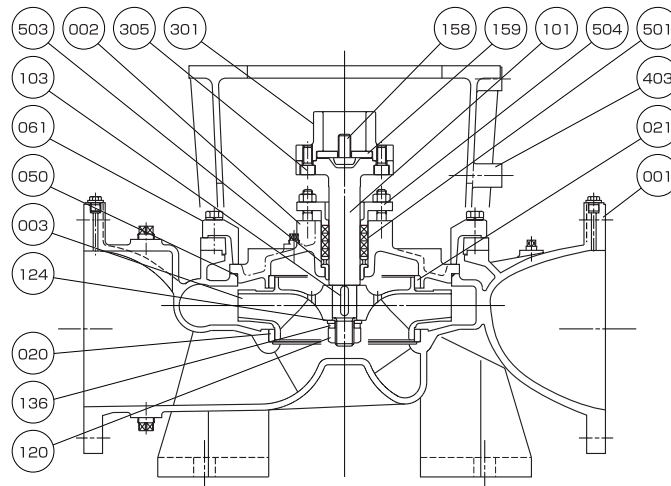
Application

Cooling Fresh Water Pump
Cooling Sea Water Pump
Sea Water Service Pump

Feature

Vertical Single-stage Single-suction
Closed Coupling Type

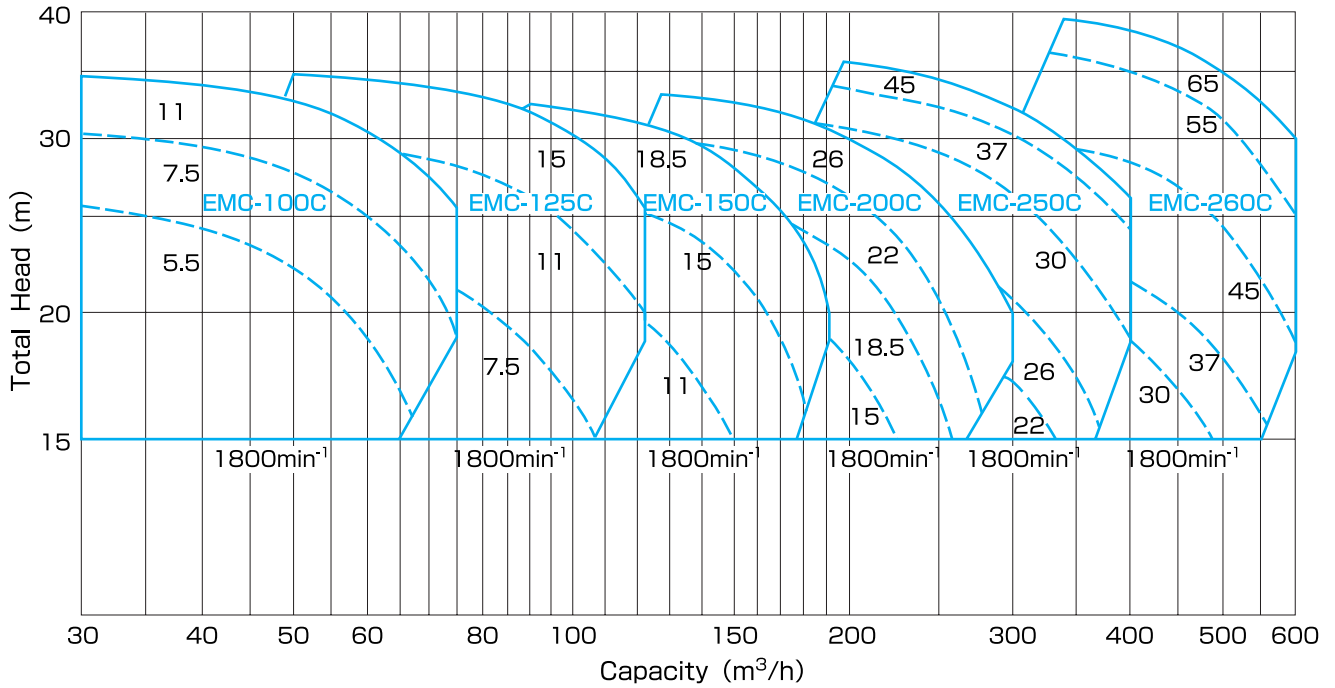
Structure & Material



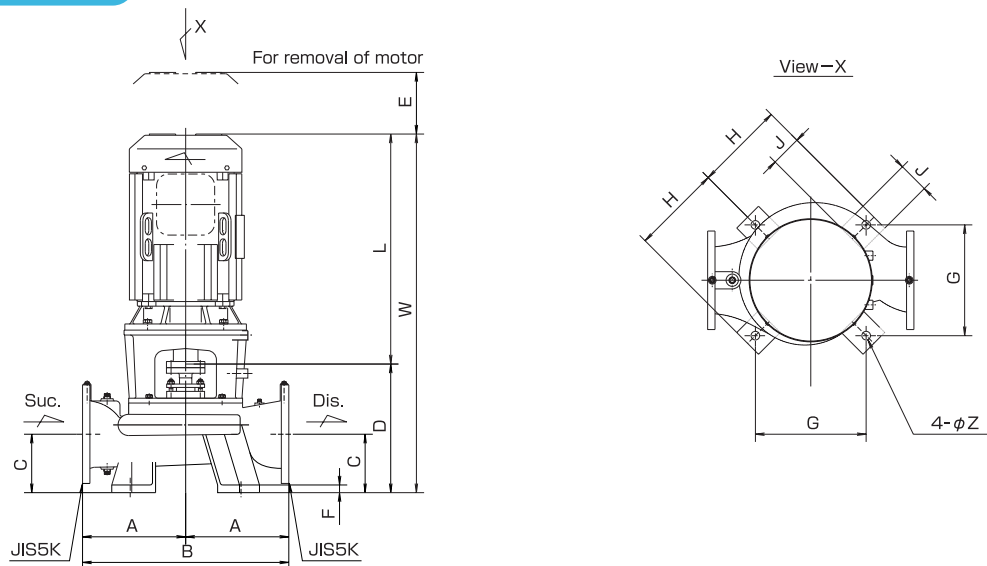
Part No.	Name	Req. No.	Sea Water		Fresh Water	
			Material	JIS	Material	JIS
001	CASING	1	BRONZE	CAC402	CAST IRON	FC200
002	CASING COVER	1	BRONZE	CAC402	CAST IRON	FC200
003	IMPELLER	1	PHOSPHOR BRONZE	CAC502A	PHOSPHOR BRONZE	CAC502A
020	CASING RING	1	BRONZE	CAC402	BRONZE	CAC402
021	CASING RING	1	BRONZE	CAC402	BRONZE	CAC402
050	O-RING	1	RUBBER	NBR	RUBBER	NBR
061	FIXING PLATE	8	MILD STEEL	SS400	MILD STEEL	SS400
101	SHAFT	1	STAINLESS STEEL	SUS304	STAINLESS STEEL	SUS304
103	IMPELLER KEY	1	STAINLESS STEEL	SUS304	STAINLESS STEEL	SUS304
120	IMPELLER NUT	1	STAINLESS STEEL	SUS304	STAINLESS STEEL	SUS304

Part No.	Name	Req. No.	Sea Water		Fresh Water	
			Material	JIS	Material	JIS
124	IMPELLER WASHER	1	STAINLESS STEEL	SUS304	STAINLESS STEEL	SUS304
136	SPRING WASHER	1	STAINLESS STEEL	SUS304	STAINLESS STEEL	SUS304
158	SET SCREW	1	Cr-Mo STEEL	SCM435	Cr-Mo STEEL	SCM435
159	STOPPER RING	1	MILD STEEL	SS400	MILD STEEL	SS400
301	COUPLING	1	MILD STEEL	SS400	MILD STEEL	SS400
305	COUPLING BOLT	4	Cr-Mo STEEL	SCM435	Cr-Mo STEEL	SCM435
403	FRAME	1	CAST IRON	FC200	CAST IRON	FC200
501	GLAND PACKING	4	CARBONIZED FIBER	-	CARBONIZED FIBER	-
503	LANTERN RING	1	BRONZE	CAC402	BRONZE	CAC402
504	GLAND	1	BRONZE	CAC402	BRONZE	CAC402

Performance



Dimension



Model No.	Motor		Bore		Dimension (mm)											
	kW	min ⁻¹	Suc.	Dis.	A	B	C	D	E	F	G	H	J	L	W	Z
EMC-100C	5.5	1800	100	100	280	560	150	360	150	25	290	240	100	480	840	28
	7.5								200							
	11								200							
EMC-125C	7.5	1800	125	125	300	600	160	370	150	25	290	240	100	480	850	28
	11								200							
	15								200							
EMC-150C	11	1800	150	150	315	630	160	393	200	25	360	290	100	595	988	28
	15								200							
	18.5								200							
EMC-200C	15	1800	200	200	335	670	190	418	200	25	360	290	100	685	1103	28
	18.5								200							
	22								200							
EMC-250C	22	1800	250	250	400	800	220	490	200	25	410	325	100	725	1215	28
	26								250							
	30								250							
EMC-260C	30	1800	250	250	400	800	220	520	200	25	410	325	100	725	1245	28
	37								250							
	45								250							
	55								250					800	1290	
	65								250					725	1245	
														800	1320	
														950	1470	
														1050	1570	