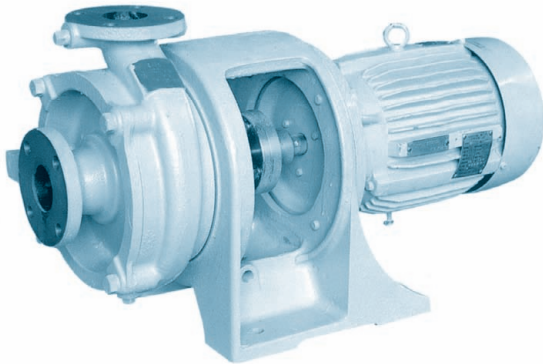


# CENTRIFUGAL PUMP

## TMC



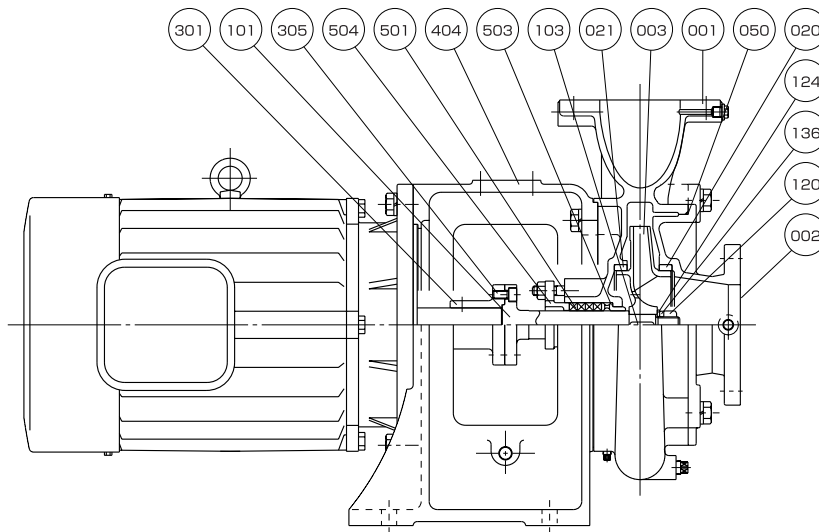
### Application

Cooling Fresh Water  
Cooling Sea Water  
Sea Water Service

### Feature

Horizontal Single-stage Single-suction  
Closed Coupling Type

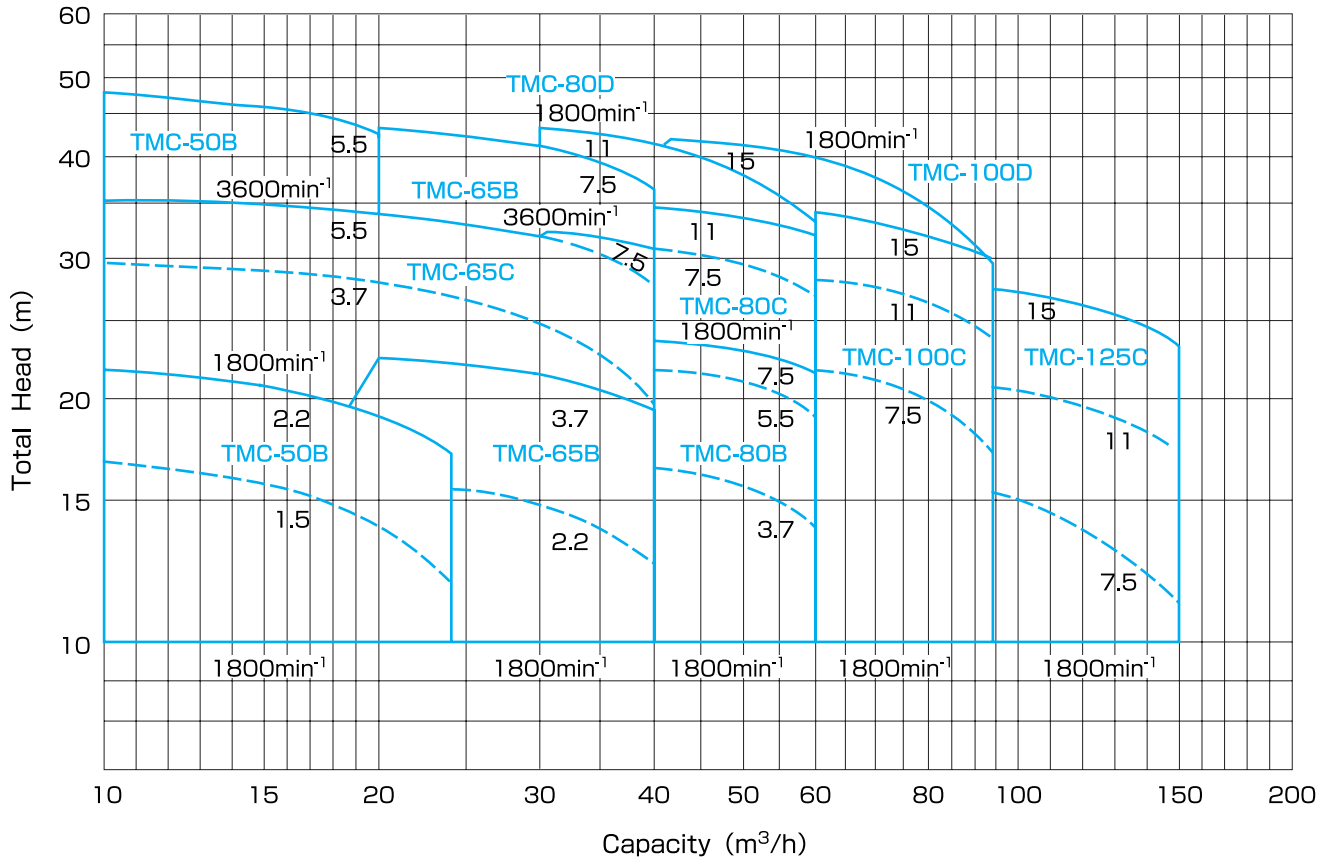
### Structure & Material



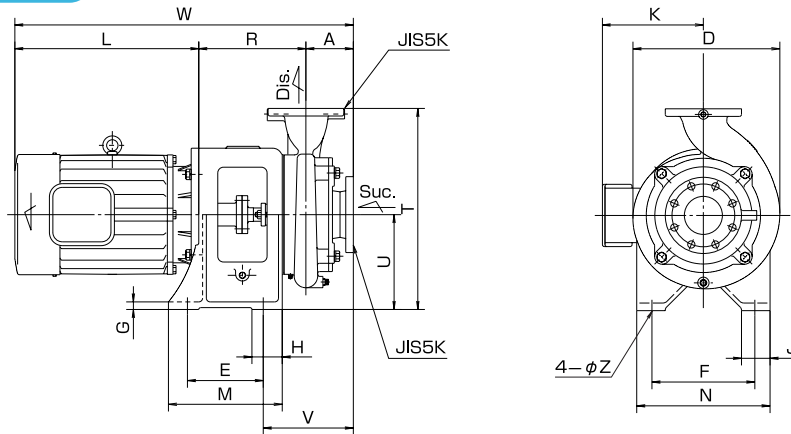
Part No.	Name	Req. No.	Sea Water		Fresh Water	
			Material	JIS	Material	JIS
001	CASING	1	BRONZE	CAC402	CAST IRON	FC200
002	CASING COVER	1	BRONZE	CAC402	CAST IRON	FC200
003	IMPELLER	1	PHOSPHOR BRONZE	CAC502A	PHOSPHOR BRONZE	CAC502A
020	CASING RING	1	BRONZE	CAC402	BRONZE	CAC402
021	CASING RING	1	BRONZE	CAC402	BRONZE	CAC402
050	O-RING	1	RUBBER	NBR	RUBBER	NBR
101	SHAFT	1	STAINLESS STEEL	SUS304	STAINLESS STEEL	SUS304
103	IMPELLER KEY	1	STAINLESS STEEL	SUS304	STAINLESS STEEL	SUS304
120	IMPELLER NUT	1	STAINLESS STEEL	SUS304	STAINLESS STEEL	SUS304

Part No.	Name	Req. No.	Sea Water		Fresh Water	
			Material	JIS	Material	JIS
124	IMPELLER WASHER	1	STAINLESS STEEL	SUS304	STAINLESS STEEL	SUS304
136	SPRING WASHER	1	STAINLESS STEEL	SUS304	STAINLESS STEEL	SUS304
301	COUPLING	1	MILD STEEL	SS400	MILD STEEL	SS400
305	COUPLING BOLT	4	Cr-Mo STEEL	SCM435	Cr-Mo STEEL	SCM435
404	FRAME	1	CAST IRON	FC200	CAST IRON	FC200
501	GLAND PACKING	4	CARBONIZED FIBER	-	CARBONIZED FIBER	-
503	LANTERN RING	1	BRONZE	CAC402	BRONZE	CAC402
504	GLAND	1	BRONZE	CAC402	BRONZE	CAC402

## Performance



## Dimension



Model No.	Motor		Bore		Dimension (mm)																
	kW	min <sup>-1</sup>	Suc.	Dis.	A	D	E	F	G	H	J	K	L	M	N	R	T	U	V	W	Z
TMC-50B	1.5	1800	50	50	100	265	150	220	15	80	65	195	300	250	280	215	370	190	205	615	15
	2.2	1800					180					225	655								
	5.5	3600					200	270				745									
TMC-65B	2.2	1800	65	65	100	285	180	270	18	80	65	205	330	280	280	227	390	190	207	657	15
	3.7	1800					215					355	682								
	7.5	3600					265	400				747									
TMC-65C	3.7	1800	65	65	100	335	180	270	18	80	65	215	355	280	280	227	415	190	207	682	15
	5.5						1800					265	400	747							
	7.5						1800	200				270	747								
TMC-80B	3.7	1800	80	80	100	325	180	270	18	80	65	215	355	280	280	232	415	190	212	687	15
	5.5						1800					265	400	752							
	7.5						1800	200				270	752								
TMC-80C	7.5	1800	80	80	100	365	200	270	18	80	75	265	400	300	350	252	500	250	212	752	19
	11						1800		20			20	285	485		282				867	
TMC-80D	11	1800	80	80	125	405	200	270	20	80	75	285	485	300	350	290	530	250	245	900	19
	7.5						1800		18			18	265	400		253				778	
TMC-100C	7.5	1800	100	100	125	385	200	270	18	80	75	285	485	300	350	283	530	250	238	893	19
	11						1800					20	20	285		525				933	
	15						1800	20				20	285	525		933					
TMC-100D	15	1800	100	100	125	405	200	270	18	80	75	285	525	300	350	290	565	250	245	940	19
	7.5						1800					20	20	265		400				265	
	11						1800	20				20	285	485		295				920	
TMC-125C	7.5	1800	125	125	140	420	200	270	18	80	75	285	485	300	350	295	530	250	265	920	19
	11						1800					20	20	285		525				960	
	15																				