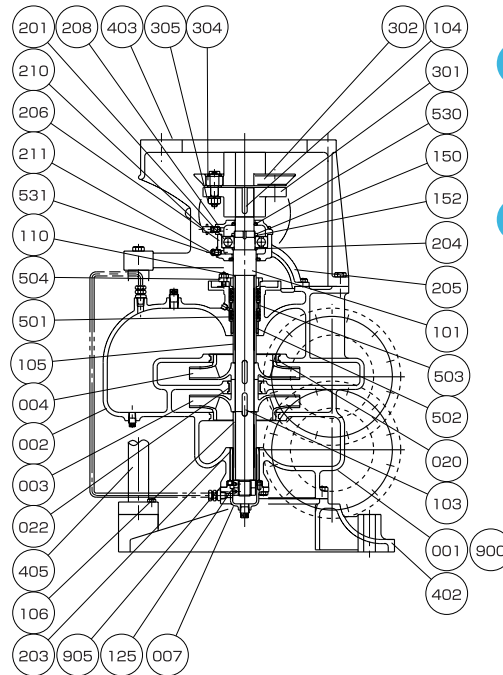
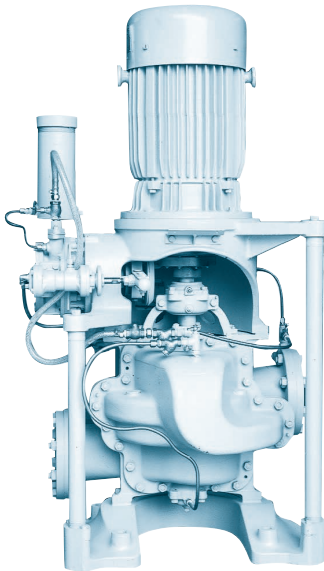


# CENTRIFUGAL PUMP

## VS



### Application

Fire & G.S. Pump  
Bilge & Ballast Pump

### Feature

Vertical Two-stage Single-suction  
Split-casing Type

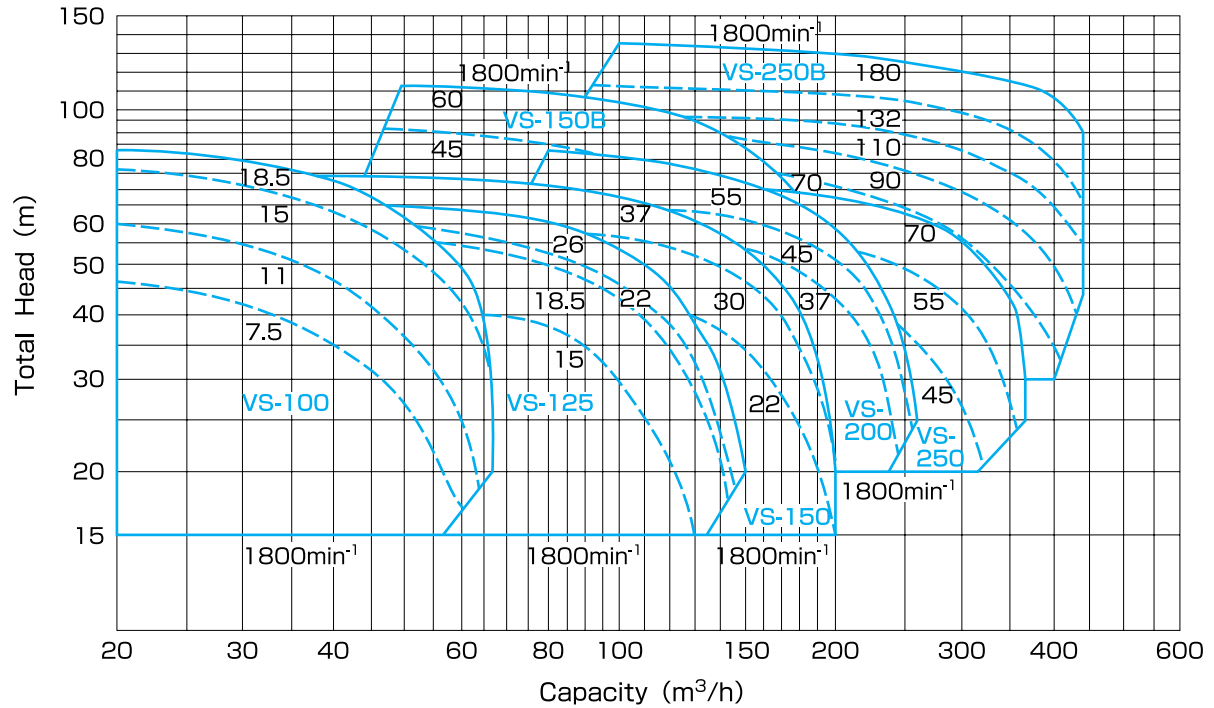
### Structure & Material

2-2

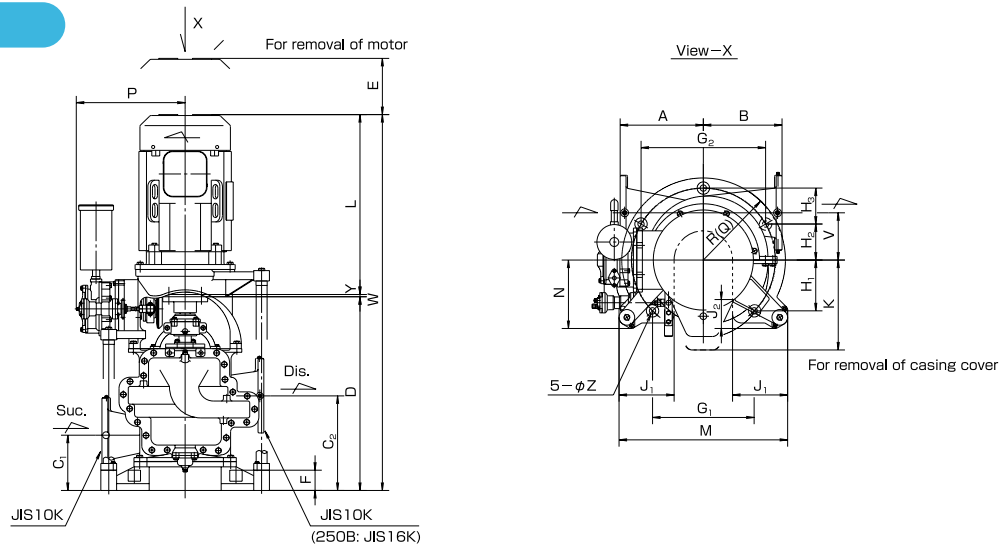
Part No.	Name	Req. No.	Sea Water		Fresh Water	
			Material	JIS	Material	JIS
001	CASING	1	BRONZE	CAC402	CAST IRON	FC200
002	CASING COVER	1	BRONZE	CAC402	CAST IRON	FC200
003	IMPELLER	1	PHOSPHOR BRONZE	CAC502A	PHOSPHOR BRONZE	CAC502A
004	IMPELLER	1	PHOSPHOR BRONZE	CAC502A	PHOSPHOR BRONZE	CAC502A
007	BOTTOM COVER	1	BRONZE	CAC402	CAST IRON	FC200
020	CASING RING	2	BRONZE	CAC402	BRONZE	CAC402
022	STAGE BUSH	1	BRONZE	CAC402	BRONZE	CAC402
101	SHAFT	1	STAINLESS STEEL	SUS304	STAINLESS STEEL	SUS304
103	KEY	2	STAINLESS STEEL	SUS304	STAINLESS STEEL	SUS304
104	KEY	1	CARBON STEEL	S45C	CARBON STEEL	S45C
105	SLEEVE	1	STAINLESS STEEL	SUS304	STAINLESS STEEL	SUS304
106	SLEEVE	1	STAINLESS STEEL	SUS304	STAINLESS STEEL	SUS304
110	O-RING	1	RUBBER	NBR	RUBBER	NBR
125	SLEEVE NUT	2	STAINLESS STEEL	SUS304	STAINLESS STEEL	SUS304
150	BEARING NUT	1	MILD STEEL	SS400	MILD STEEL	SS400
152	BEARING WASHER	1	MILD STEEL	SS400	MILD STEEL	SS400
201	BALL BEARING	1	BEARING STEEL	SUJ2	BEARING STEEL	SUJ2
203	BOTTOM METAL	1	LEAD BRONZE	-	LEAD BRONZE	-
204	BEARING SPACER	1	MILD STEEL	SS400	MILD STEEL	SS400
205	BEARING HOUSING	1	CAST IRON	FC200	CAST IRON	FC200

Part No.	Name	Req. No.	Sea Water		Fresh Water	
			Material	JIS	Material	JIS
206	HOUSING COVER	1	CAST IRON	FC200	CAST IRON	FC200
208	BEARING COVER	1	CAST IRON	FC200	CAST IRON	FC200
210	GREASE NIPPLE	1	BRASS	C3602	BRASS	C3602
211	GREASE FITTING	1	BRASS	C3602	BRASS	C3602
301	COUPLING	1	CAST IRON	FC200	CAST IRON	FC200
302	COUPLING	1	CAST IRON	FC200	CAST IRON	FC200
304	COUPLING RING	8	RUBBER	NBR	RUBBER	NBR
305	COUPLING BOLT & NUT	8	MILD STEEL	SS400	MILD STEEL	SS400
402	PUMP BED	1	CAST IRON	FC200	CAST IRON	FC200
403	MOTOR FRAME	1	CAST IRON	FC200	CAST IRON	FC200
405	SUPPORT	2	STEEL GAS PIPE	SGP	STEEL GAS PIPE	SGP
501	GLAND PACKING	5	CARBONIZED FIBER	-	CARBONIZED FIBER	-
502	NECK BUSH	1	BRONZE	CAC402	BRONZE	CAC402
503	LANTERN RING	1	BRONZE	CAC402	BRONZE	CAC402
504	GLAND	1	BRONZE	CAC402	BRONZE	CAC402
530	OIL SEAL	1	RUBBER	NBR	RUBBER	NBR
531	OIL SEAL	1	RUBBER	NBR	RUBBER	NBR
900	GASKET	1	PAPER	-	PAPER	-
905	GASKET	1	RUBBER	NBR	RUBBER	NBR

## Performance



## Dimension



Model No.	Motor		Bore		Dimension (mm)																							
	kW	min <sup>-1</sup>	Suc.	Dis.	A	B	C1	C2	D	E	F	G1	G2	H1	H2	H3	J1	J2	K	L	M	N	P	Q	V	W	Y	Z
VS-100	7.5	1800	100	100	300	270	220	380	846	150	80	368	450	184	130	130	175	80	450	480	590	240	485	310	170	829	3	24
	11									595										944								
	15									635										984								
	18.5									685										1034								
VS-125	15	1800	125	125	290	320	262	442	960	200	90	353	433	177	125	125	180	105	540	635	630	255	485	300	175	1598	3	26
	18.5									685										1648								
	22									725										1689								
	26									725										1689								
VS-150	22	1800	150	150	370	350	245	428	876	200	90	424	520	212	150	150	215	120	630	685	750	303	485	360	210	1564	3	28
	30									725										1605								
	37									800										1680								
	45									800										1680								
VS-150B	45	1800	150	150	350	330	262	442	972	250	90	424	520	212	150	150	215	120	630	800	750	303	485	360	200	1776	4	28
	60																			1050						2026		
VS-200	37	1800	200	200	370	350	245	428	876	250	90	424	520	212	150	150	215	120	630	800	750	303	485	360	210	1680	4	28
	45																			950						1830		
	55																			800						1759		
VS-250	45	1800	200	200	400	430	290	552	955	250	90	424	520	212	150	150	215	120	670	800	750	303	485	360	210	1909	4	28
	55																			950						2009		
	70																			1050						2009		
VS-250B	70	1800	250	250	430	430	290	490	1095	250	80	452	554	226	160	160	245	105	800	1050	750	303	540	365	330	2149	4	28
	90																			1210						2309		
	110																			1290						2389		
	132																			1290						2389		
	180																			1566						2665		