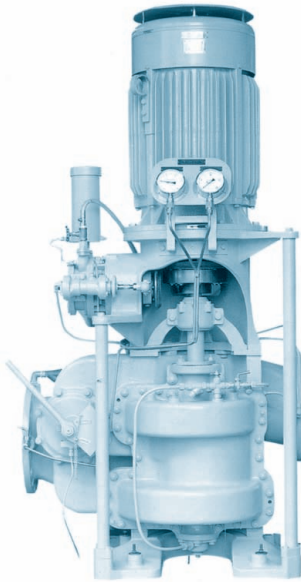


CENTRIFUGAL PUMP VS-S



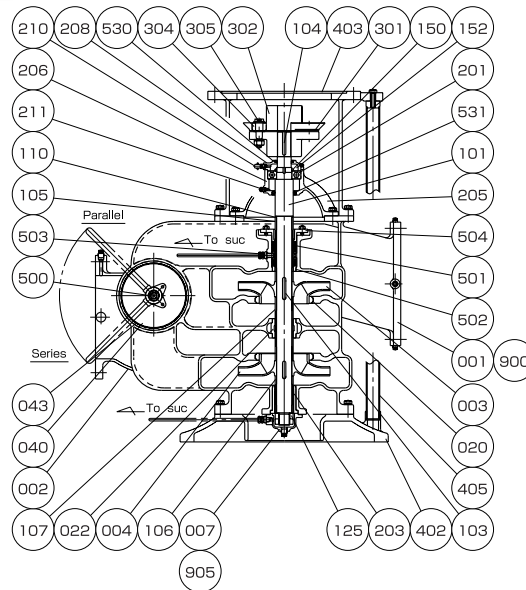
Application

Fire & G.S. Pump
Bilge & Ballast Pump

Feature

Vertical Two-stage Single-suction
Split-casing Type

Structure & Material

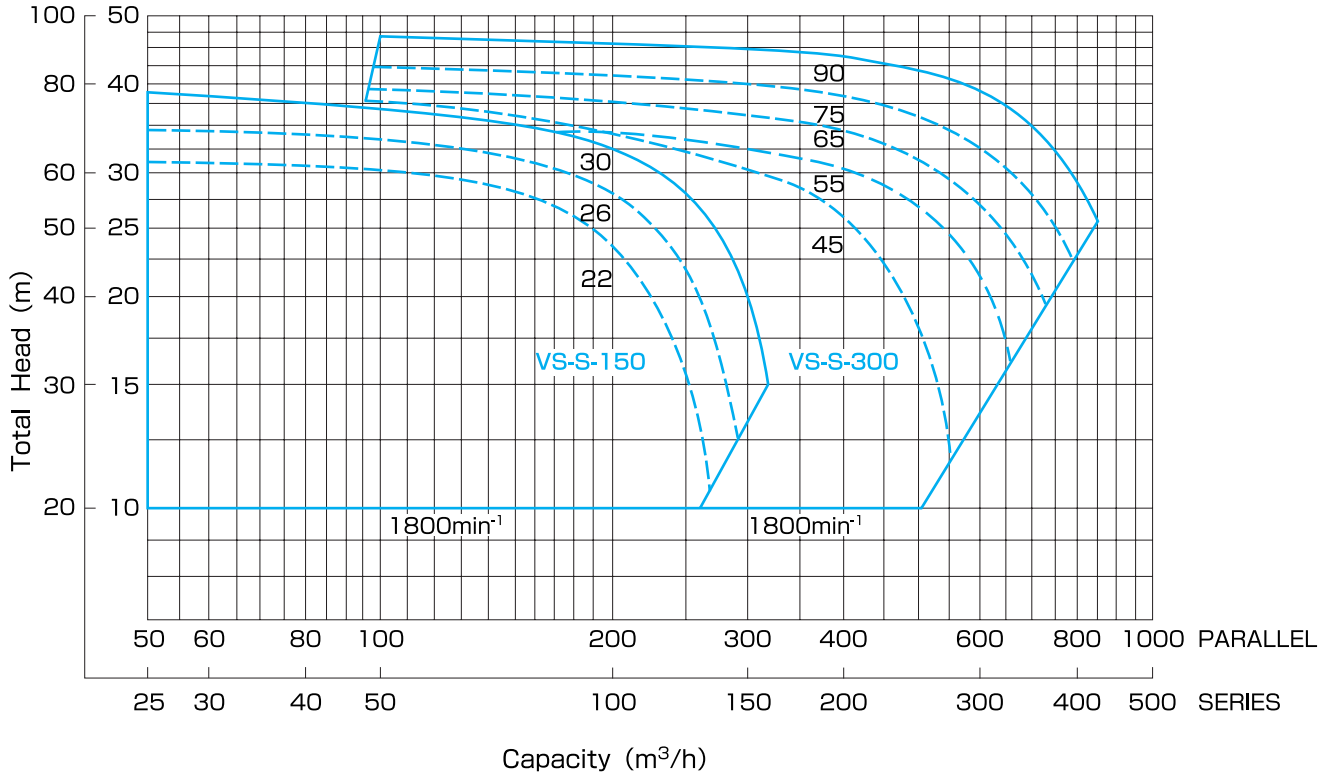


3-2

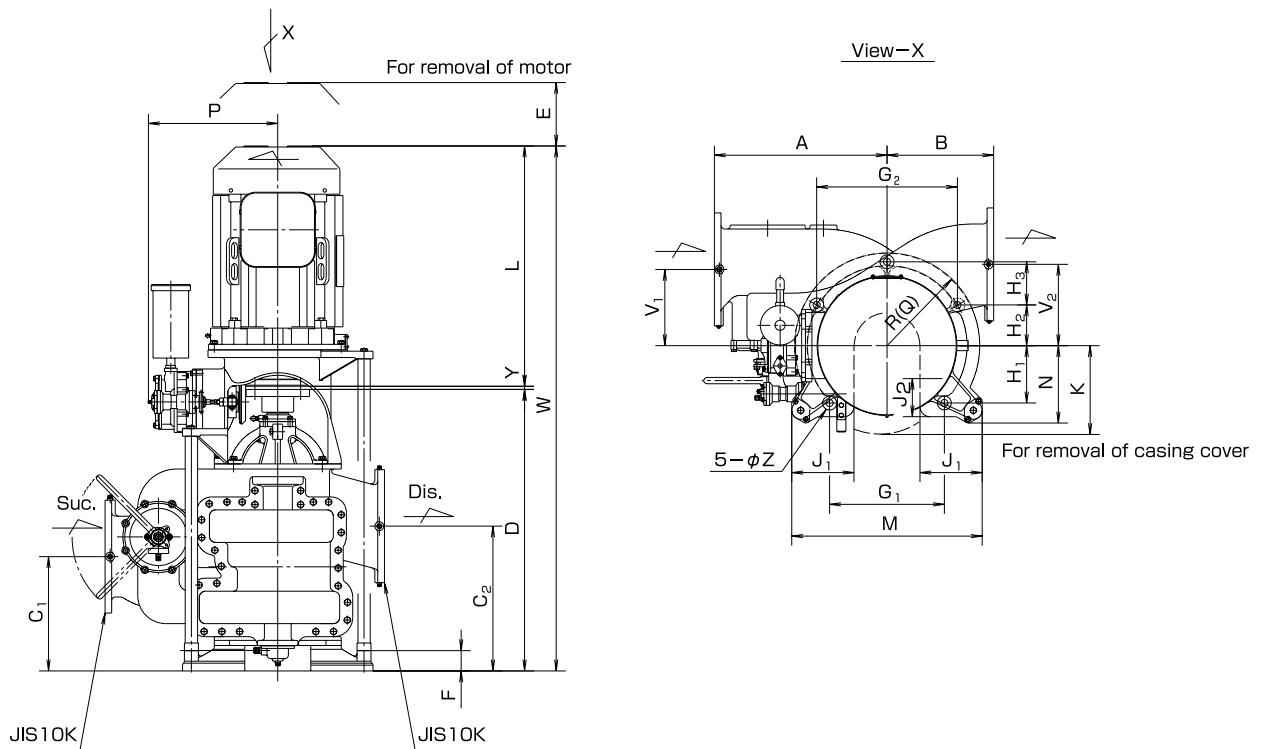
Part No.	Name	Req. No.	Sea Water		Fresh Water	
			Material	JIS	Material	JIS
001	CASING	1	BRONZE	CAC402	CAST IRON	FC200
002	CASING COVER	1	BRONZE	CAC402	CAST IRON	FC200
003	IMPELLER	1	PHOSPHOR BRONZE	CAC502A	PHOSPHOR BRONZE	CAC502A
004	IMPELLER	1	PHOSPHOR BRONZE	CAC502A	PHOSPHOR BRONZE	CAC502A
007	BOTTOM COVER	1	BRONZE	CAC402	CAST IRON	FC200
020	CASING RING	2	BRONZE	CAC402	BRONZE	CAC402
022	STAGE BUSH	1	BRONZE	CAC402	BRONZE	CAC402
040	CHANGE VALVE	1	HIGH STRENGTH BRASS	-	HIGH STRENGTH BRASS	-
043	CHANGE VALVE LINER	1	BRONZE	CAC402	BRONZE	CAC402
101	SHAFT	1	STAINLESS STEEL	SUS304	STAINLESS STEEL	SUS304
103	KEY	2	STAINLESS STEEL	SUS304	STAINLESS STEEL	SUS304
104	KEY	1	CARBON STEEL	S45C	CARBON STEEL	S45C
105	SLEEVE	1	STAINLESS STEEL	SUS304	STAINLESS STEEL	SUS304
106	SLEEVE	1	STAINLESS STEEL	SUS304	STAINLESS STEEL	SUS304
107	SLEEVE	1	STAINLESS STEEL	SUS304	STAINLESS STEEL	SUS304
110	O-RING	1	RUBBER	NBR	RUBBER	NBR
125	SLEEVE NUT	2	STAINLESS STEEL	SUS304	STAINLESS STEEL	SUS304
150	BEARING NUT	1	MILD STEEL	SS400	MILD STEEL	SS400
152	BEARING WASHER	1	MILD STEEL	SS400	MILD STEEL	SS400
201	BALL BEARING	1	BEARING STEEL	SUJ2	BEARING STEEL	SUJ2
203	BOTTOM METAL	1	LEAD BRONZE	-	LEAD BRONZE	-

Part No.	Name	Req. No.	Sea Water		Fresh Water	
			Material	JIS	Material	JIS
205	BEARING HOUSING	1	CAST IRON	FC200	CAST IRON	FC200
206	HOUSING COVER	1	CAST IRON	FC200	CAST IRON	FC200
208	BEARING COVER	1	CAST IRON	FC200	CAST IRON	FC200
210	GREASE NIPPLE	1	BRASS	C3602	BRASS	C3602
211	GREASE FITTING	1	BRASS	C3602	BRASS	C3602
301	COUPLING	1	CAST IRON	FC200	CAST IRON	FC200
302	COUPLING	1	CAST IRON	FC200	CAST IRON	FC200
304	COUPLING RING	8	RUBBER	NBR	RUBBER	NBR
305	COUPLING BOLT & NUT	8	MILD STEEL	SS400	MILD STEEL	SS400
402	PUMP BED	1	CAST IRON	FC200	CAST IRON	FC200
403	MOTOR FRAME	1	CAST IRON	FC200	CAST IRON	FC200
405	SUPPORT	2	STEEL GAS PIPE	SGP	STEEL GAS PIPE	SGP
500	GLAND PACKING	3	CARBONIZED FIBER	-	CARBONIZED FIBER	-
501	GLAND PACKING	5	CARBONIZED FIBER	-	CARBONIZED FIBER	-
502	NECK BUSH	1	BRONZE	CAC402	BRONZE	CAC402
503	LANTERN RING	1	BRONZE	CAC402	BRONZE	CAC402
504	GLAND	1	BRONZE	CAC402	BRONZE	CAC402
530	OIL SEAL	1	RUBBER	NBR	RUBBER	NBR
531	OIL SEAL	1	RUBBER	NBR	RUBBER	NBR
900	GASKET	1	PAPER	-	PAPER	-
905	GASKET	1	RUBBER	NBR	RUBBER	NBR

Performance



Dimension



Model No.	Motor		Bore		Dimension (mm)																								
	kW	min ⁻¹	SUC.	DIS.	A	B	C1	C2	D	E	F	G1	G2	H1	H2	H3	J1	J2	K	L	M	N	P	Q	V1	V2	W	Y	Z
VS-S-150	22	1800	150	150	550	340	385	485	852	200	80	452	554	226	160	160	245	105	550	685	750	303	450	365	240	280	1540	3	28
	26																			725							1581	4	
	30																			725							1581	4	
	45																			800							1924	4	
VS-S-300	55	1800	300	300	680	420	450	570	1120	250	80	452	554	226	160	160	245	105	600	950	750	303	470	365	300	320	2074	4	28
	65																			420							2174	4	
	75																			420							2174	4	
	90																			420							2174	4	