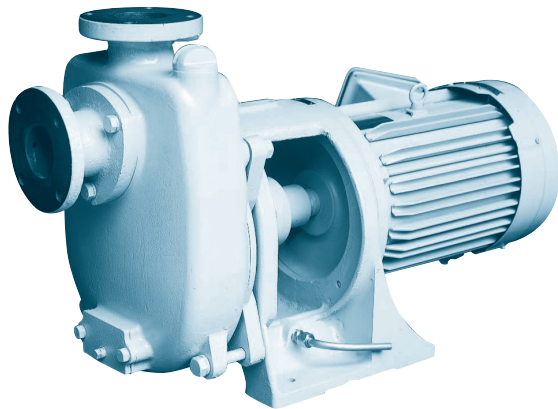


CENTRIFUGAL PUMP

TMS



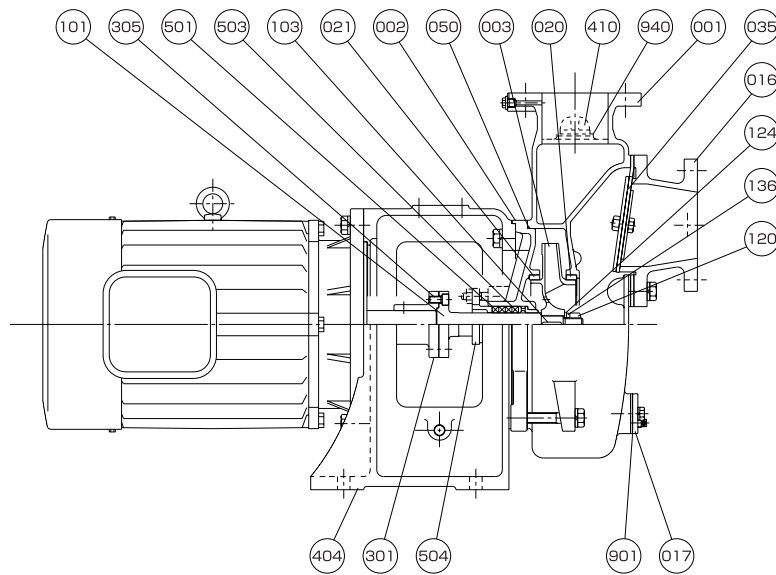
Application

Fire & G.S. Pump
Bilge & Ballast Pump

Feature

Horizontal Single-stage Single-suction
Self-priming Closed Coupling Type

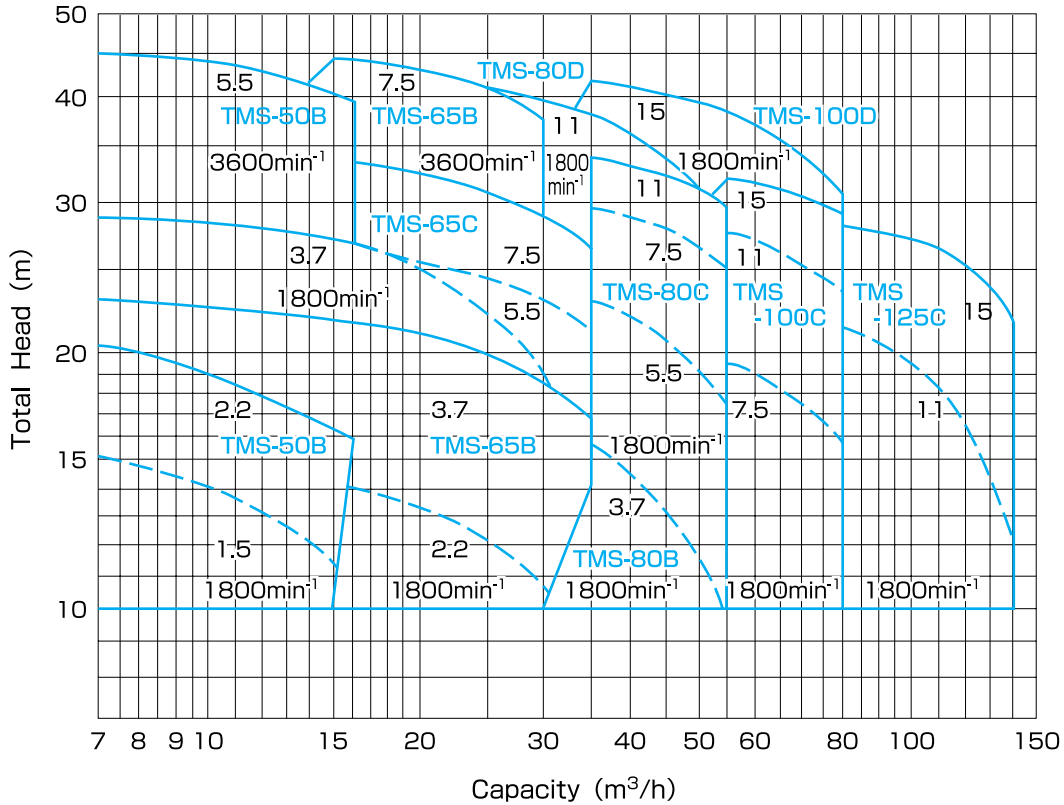
Structure & Material



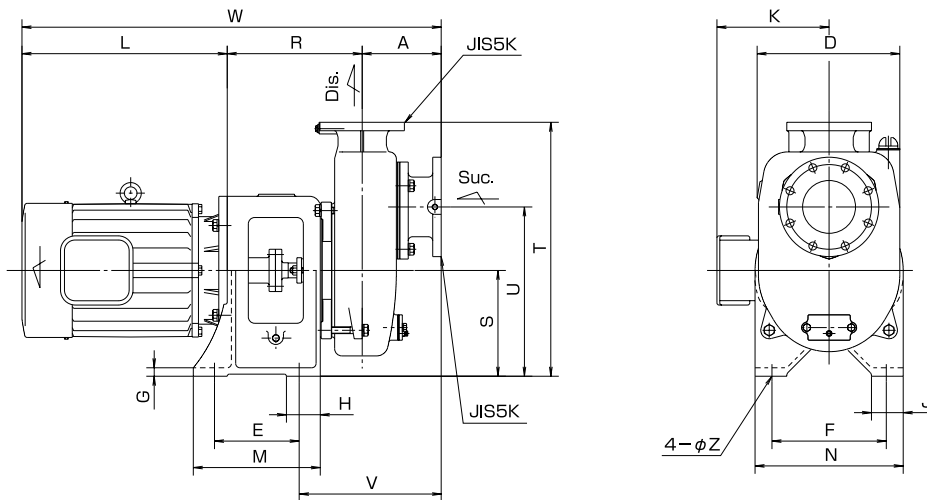
Part No.	Name	Req. No.	Sea Water		Fresh Water	
			Material	JIS	Material	JIS
001	CASING	1	BRONZE	CAC402	CAST IRON	FC200
002	CASING COVER	1	BRONZE	CAC402	CAST IRON	FC200
003	IMPELLER	1	PHOSPHOR BRONZE	CAC502A	PHOSPHOR BRONZE	CAC502A
016	SUCTION COVER	1	BRONZE	FC200	CAST IRON	FC200
017	DRAIN COVER	1	BRONZE	FC200	CAST IRON	FC200
020	CASING RING	1	BRONZE	CAC402	BRONZE	CAC402
021	CASING RING	1	BRONZE	CAC402	BRONZE	CAC402
035	CHECK VALVE	1	RUBBER / BRONZE	NBR / CAC402	RUBBER / BRONZE	NBR / CAC402
050	O-RING	1	RUBBER	NBR	RUBBER	NBR
101	SHAFT	1	STAINLESS STEEL	SUS304	STAINLESS STEEL	SUS304
103	IMPELLER KEY	1	STAINLESS STEEL	SUS304	STAINLESS STEEL	SUS304
120	IMPELLER NUT	1	STAINLESS STEEL	SUS304	STAINLESS STEEL	SUS304

Part No.	Name	Req. No.	Sea Water		Fresh Water	
			Material	JIS	Material	JIS
124	IMPELLER WASHER	1	STAINLESS STEEL	SUS304	STAINLESS STEEL	SUS304
136	SPRING WASHER	1	STAINLESS STEEL	SUS304	STAINLESS STEEL	SUS304
301	COUPLING	1	MILD STEEL	SS400	MILD STEEL	SS400
305	COUPLING BOLT	4	Cr-Mo STEEL	SCM435	Cr-Mo STEEL	SCM435
404	PUMP FRAME	1	CAST IRON	FC200	CAST IRON	FC200
410	PRIMING CAP	1	BRONZE	CAC402	BRONZE	CAC402
501	GLAND PACKING	4	CARBONIZED FIBER	-	CARBONIZED FIBER	-
503	LANTERN RING	1	BRONZE	CAC402	BRONZE	CAC402
504	GLAND	1	BRONZE	CAC402	BRONZE	CAC402
901	GASKET	1	RUBBER	NBR	RUBBER	NBR
940	GASKET	1	RUBBER	NBR	RUBBER	NBR

Performance



Dimension



Model No.	Motor		Bore		Dimension (mm)																			
	kW	min ⁻¹	Suc.	Dis.	A	D	E	F	G	H	J	K	L	M	N	R	S	T	U	V	W	Z		
TMS-50B	1.5	1800	50	50	150	270	150	220	15	80	65	195	300	250	280	240	190	455	315	280	690	15		
	2.2	3600					180	270	18			205	330	280	330	270	210	475	335		730			
	5.5						200	270	18			265	400	300	330	270	210	475	335		820			
TMS-65B	2.2	1800	65	65	150	275	180	220	18	80	65	205	330	280	280	260	190	455	315	290	740	15		
	3.7	3600					180	220				18	215	355	280	280	260	190	480		330		765	
	7.5						200	270				18	265	400	300	330	280	210	475		335		830	
TMS-65C	3.7	1800	65	65	150	325	180	220	18	80	65	215	355	280	280	260	190	480	330	290	765	15		
	5.5	3600					180	220				18	265	400	300	330	280	210	475		335		830	
	7.5						200	270				18	265	400	300	330	280	210	500		350		830	
TMS-80B	3.7	1800	80	80	165	305	180	220	18	80	65	215	355	280	280	270	190	480	315	315	790	15		
	5.5	3600					180	220				18	265	400	300	350	290	250	600		400		315	855
	7.5						200	270				18	285	485	300	350	320	250	600		400		315	970
TMS-80C	3.7	1800	80	80	165	340	200	270	18	80	75	265	400	300	350	290	250	600	400	315	855	19		
	5.5	3600					200	270				18	285	485	300	350	320	250	600		400		315	970
	7.5						200	270				18	285	485	300	350	320	250	600		400		315	970
TMS-80D	11	1800	80	80	165	480	200	270	18	80	75	285	485	300	350	335	250	625	425	330	985	19		
	7.5	3600					200	270				18	265	400	300	350	290	250	600		400		335	875
	11						200	270				18	285	485	300	350	320	250	600		400		335	990
TMS-100C	7.5	1800	100	100	185	340	200	270	20	80	75	265	400	300	350	290	250	600	400	335	1030	19		
	11	3600					200	270				20	285	485	300	350	320	250	600		400		335	1030
	15						200	270				20	285	485	300	350	320	250	625		425		330	1025
TMS-100D	15	1800	100	100	165	480	200	270	20	80	75	285	525	300	350	335	250	625	425	330	1025	19		
	11	3600					200	270				20	285	485	300	350	335	250	625		425		375	1030
	15						200	270				20	285	525	300	350	335	250	625		425		375	1070
TMS-125C	11	1800	125	125	210	365	200	270	20	80	75	285	485	300	350	335	250	625	425	375	1030	19		
	15	3600					200	270				20	285	485	300	350	335	250	625		425		375	1070
	11						200	270				20	285	485	300	350	335	250	625		425		375	1070