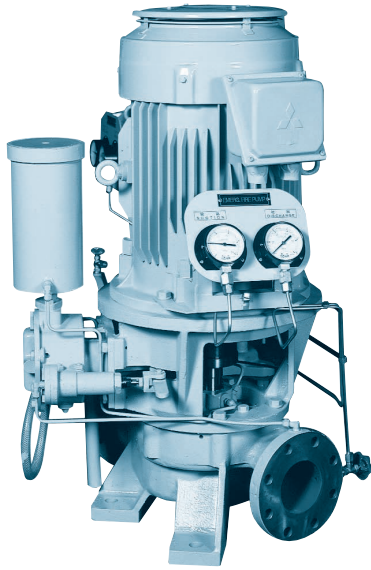


CENTRIFUGAL PUMP

EMCN



Application

Emergency Fire Pump

Feature

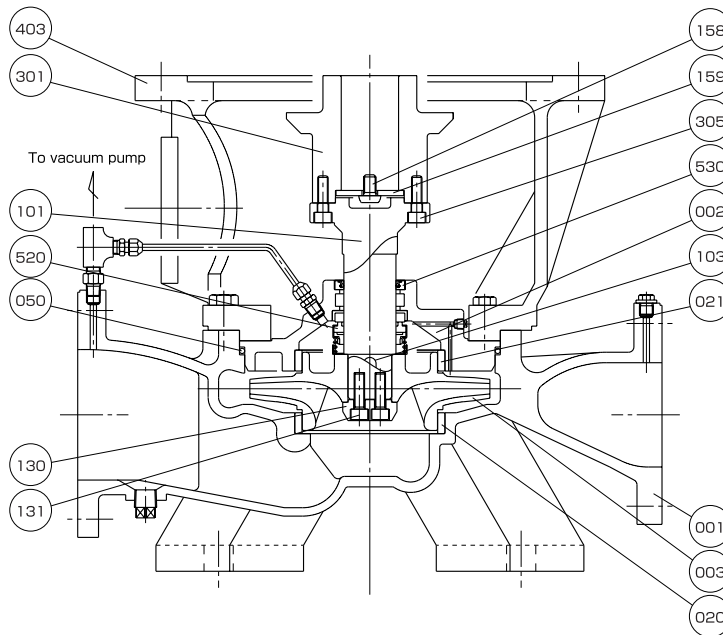
Vertical Single-stage Single-suction
Self-priming Closed Coupling Type
(Electric Motor-driven)

オプション

Option

ポンプ噴水下に設置されてい If a pump is installed below the
る場合、自動逆止弁が必要と draft, there is need to fit a auto
なります。 check valve on the pump.

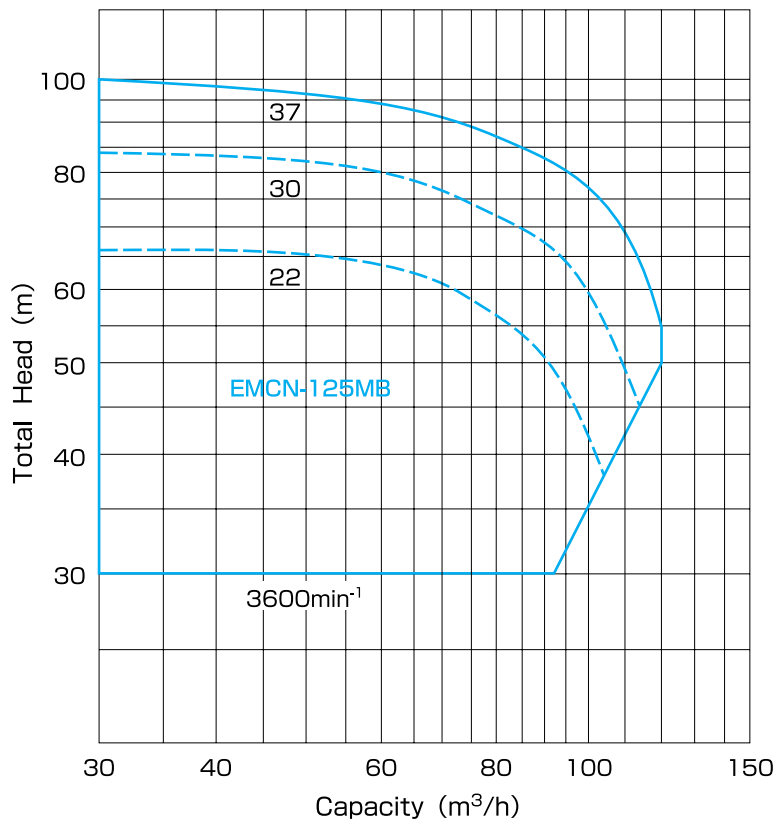
Structure & Material



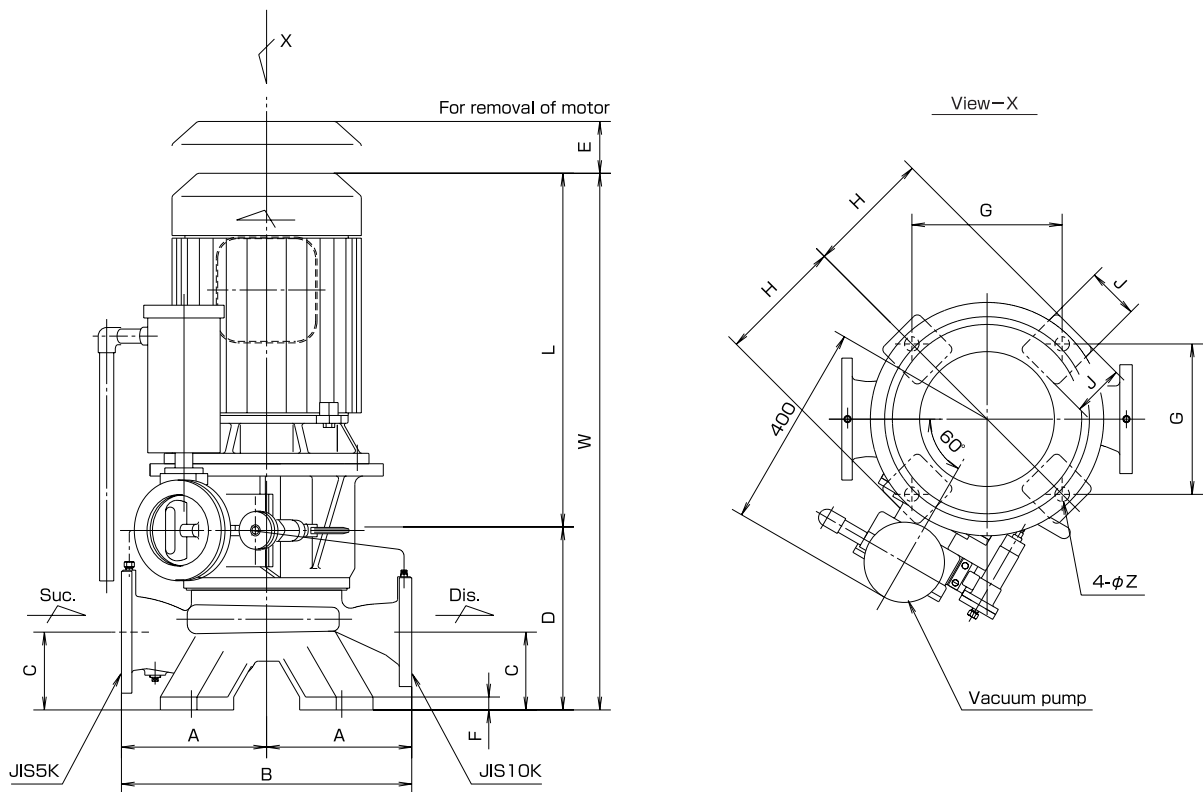
| Part No. | Name | Req. No. | Sea Water | | Fresh Water | |
|----------|--------------|----------|-----------------|---------|-----------------|---------|
| | | | Material | JIS | Material | JIS |
| 001 | CASING | 1 | BRONZE | CAC402 | CAST IRON | FC200 |
| 002 | CASING COVER | 1 | BRONZE | CAC402 | CAST IRON | FC200 |
| 003 | IMPELLER | 1 | PHOSPHOR BRONZE | CAC502A | PHOSPHOR BRONZE | CAC502A |
| 020 | CASING RING | 1 | BRONZE | CAC402 | BRONZE | CAC402 |
| 021 | CASING RING | 1 | BRONZE | CAC402 | BRONZE | CAC402 |
| 050 | O-RING | 1 | RUBBER | NBR | RUBBER | NBR |
| 101 | SHAFT | 1 | STAINLESS STEEL | SUS304 | STAINLESS STEEL | SUS304 |
| 103 | KEY | 1 | STAINLESS STEEL | SUS304 | STAINLESS STEEL | SUS304 |
| 130 | HUB CAP | 1 | STAINLESS STEEL | SUS304 | STAINLESS STEEL | SUS304 |

| Part No. | Name | Req. No. | Sea Water | | Fresh Water | |
|----------|-----------------|----------|-------------------|--------|-------------------|--------|
| | | | Material | JIS | Material | JIS |
| 131 | SCREW | 2 | STAINLESS STEEL | SUS304 | STAINLESS STEEL | SUS304 |
| 158 | SET SCREW | 1 | MILD STEEL | SS400 | MILD STEEL | SS400 |
| 159 | STOPPER RING | 1 | MILD STEEL | SS400 | MILD STEEL | SS400 |
| 301 | COUPLING | 1 | DUCTILE CAST IRON | FCD400 | DUCTILE CAST IRON | FCD400 |
| 305 | COUPLING BOLT | 4 | Cr-Mo STEEL | SCM435 | Cr-Mo STEEL | SCM435 |
| 403 | FRAME | 1 | CAST IRON | FC200 | CAST IRON | FC200 |
| 520 | MECHANICAL SEAL | 1 | CERAMIC & CARBON | - | CERAMIC & CARBON | - |
| 530 | OIL SEAL | 1 | RUBBER | NBR | RUBBER | NBR |

Performance



Dimension



| Model No. | Motor | | Bore | | Dimension (mm) | | | | | | | | | | | |
|------------|-------|-------------------|------|------|----------------|-----|-----|-----|-----|----|-----|-----|-----|-----|------|----|
| | kW | min ⁻¹ | Suc. | Dis. | A | B | C | D | E | F | G | H | J | L | W | Z |
| EMCN-125MB | 22 | 3600 | 125 | 100 | 280 | 560 | 150 | 365 | 250 | 25 | 290 | 240 | 100 | 685 | 1050 | 28 |
| | 30 | | | | | | | | | | | | | 725 | 1090 | |
| | 37 | | | | | | | | | | | | | 770 | 1135 | |