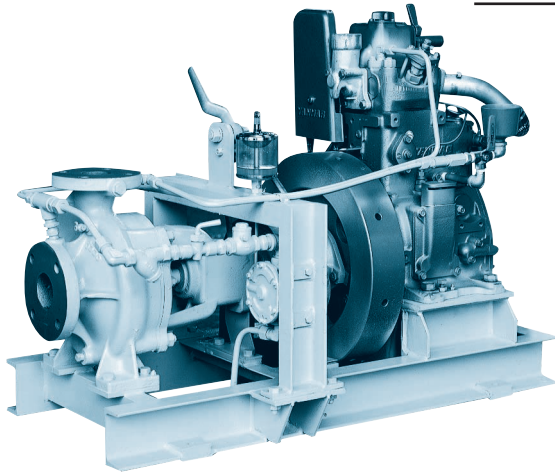


CENTRIFUGAL PUMP

EHCV



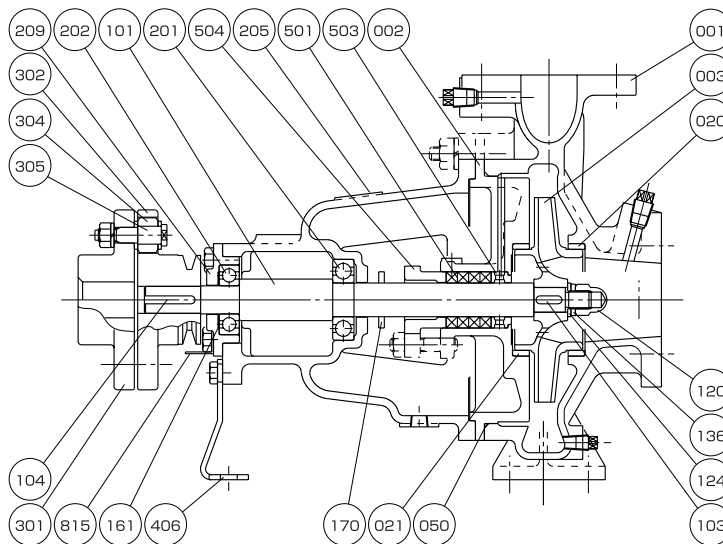
Application

Emergency Fire Pump

Feature

Horizontal Single-stage Single-suction
Self-priming Type (Diesel Engine Driven)

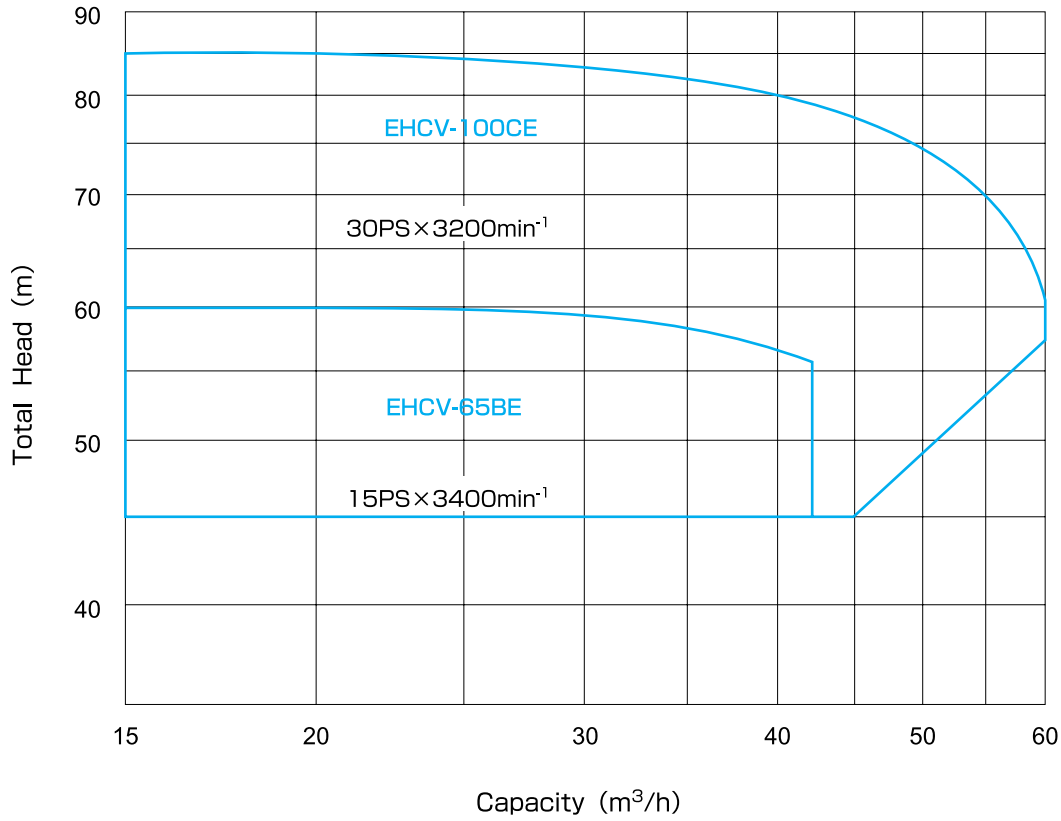
Structure & Material



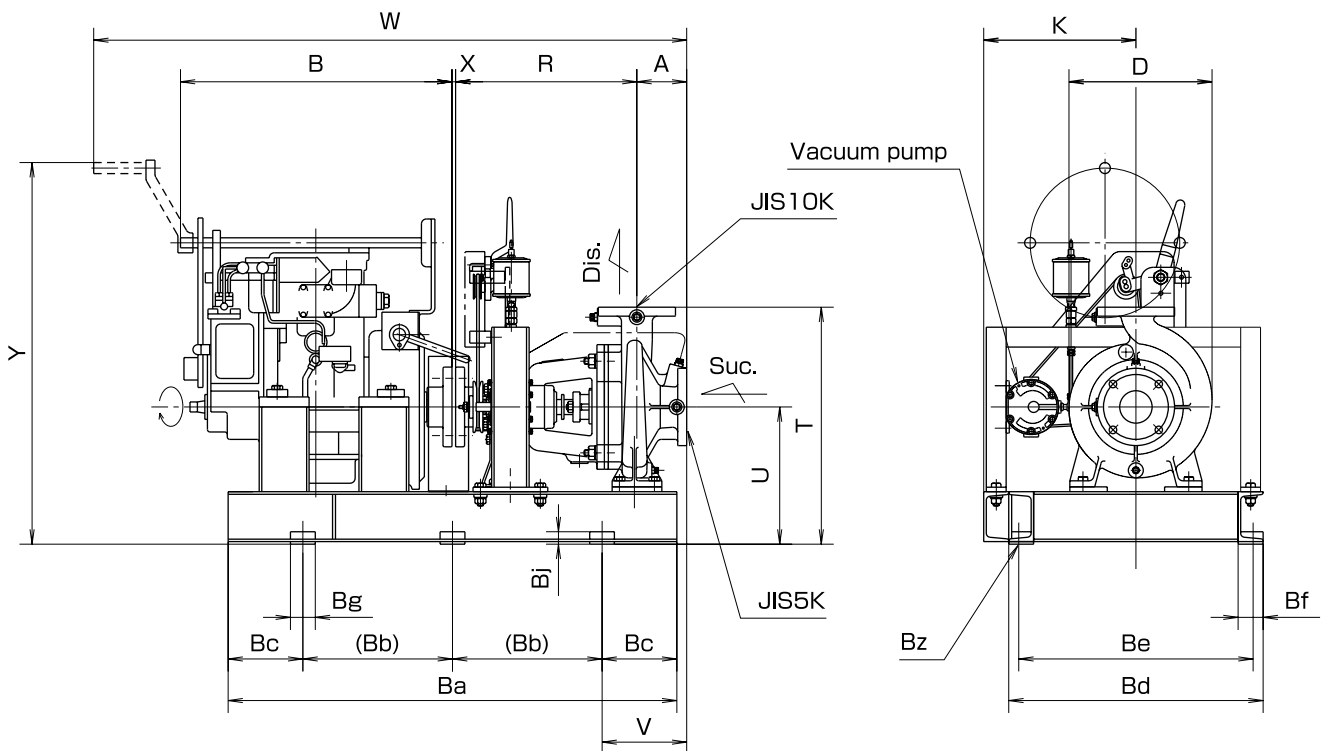
Part No.	Name	Req. No.	Sea Water		Fresh Water	
			Material	JIS	Material	JIS
001	CASING	1	BRONZE	CAC402	CAST IRON	FC200
002	CASING COVER	1	BRONZE	CAC402	CAST IRON	FC200
003	IMPELLER	1	PHOSPHOR BRONZE	CAC502A	PHOSPHOR BRONZE	CAC502A
020	CASING RING	1	BRONZE	CAC402	BRONZE	CAC402
021	CASING RING	1	BRONZE	CAC402	BRONZE	CAC402
050	O-RING	1	RUBBER	NBR	RUBBER	NBR
101	SHAFT	1	STAINLESS STEEL	SUS304	STAINLESS STEEL	SUS304
103	KEY	1	STAINLESS STEEL	SUS304	STAINLESS STEEL	SUS304
104	KEY	1	CARBON STEEL	S45C	CARBON STEEL	S45C
120	IMPELLER NUT	1	STAINLESS STEEL	SUS304	STAINLESS STEEL	SUS304
124	IMPELLER WASHER	1	STAINLESS STEEL	SUS304	STAINLESS STEEL	SUS304
136	SPRING WASHER	1	STAINLESS STEEL	SUS304	STAINLESS STEEL	SUS304
161	RETAINING RING	1	SPRING STEEL	SUP6	SPRING STEEL	SUP6
170	FLINGER	1	RUBBER	NBR	RUBBER	NBR

Part No.	Name	Req. No.	Sea Water		Fresh Water	
			Material	JIS	Material	JIS
201	BALL BEARING	1	BEARING STEEL	SUJ2	BEARING STEEL	SUJ2
202	BALL BEARING	1	BEARING STEEL	SUJ2	BEARING STEEL	SUJ2
205	BEARING HOUSING	1	CAST IRON	FC200	CAST IRON	FC200
209	BEARING COVER	1	CAST IRON	FC200	CAST IRON	FC200
301	COUPLING	1	CAST IRON	FC200	CAST IRON	FC200
302	COUPLING	1	CAST IRON	FC200	CAST IRON	FC200
304	COUPLING RING	8	RUBBER	NBR	RUBBER	NBR
305	COUPLING BOLT & NUT	8	MILD STEEL	SS400	MILD STEEL	SS400
406	SUPPORT	1	MILD STEEL	SS400	MILD STEEL	SS400
501	GLAND PACKING	4	CARBONIZED FIBER	-	CARBONIZED FIBER	-
503	LANTERN RING	1	BRONZE	CAC402	BRONZE	CAC402
504	GLAND	1	BRONZE	CAC402	BRONZE	CAC402
815	PLATE	1	MILD STEEL	SS400	MILD STEEL	SS400

Performance



Dimension



Model No.	Engine		Bore		Dimension (mm)																			
	PS	min ⁻¹	Suc.	Dis.	A	B	D	K	R	T	U	V	W	X	Y	Ba	Bb	Bc	Bd	Be	Bf	Bg	Bj	Bz
EHCV-65BE	15	3400	65	50	100	547	286	305	366	475	275	170	1190	3	766	900	600	150	510	470	50	50	25	4-φ15
EHCV-100CE	30	3200	100	80	125	667	390	315	470	629	345	185	1525	3	989	1200	450	150	530	490	50	50	30	6-φ19