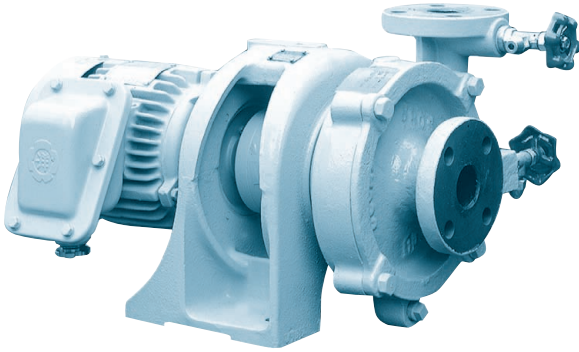


# CENTRIFUGAL PUMP

## TMC (TMV)



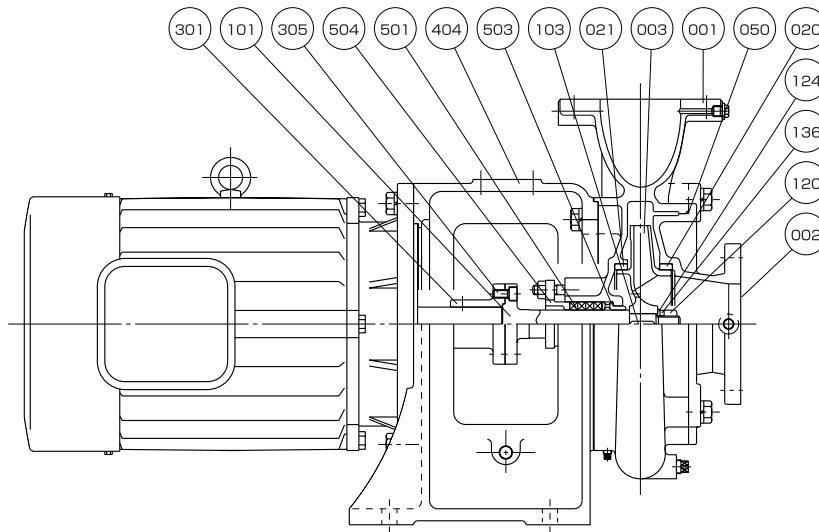
### Application

Fresh Water Pump  
Sanitary Pump  
Drinking Water Pump

### Feature

Horizontal Single-stage Single-suction  
Closed-coupling Type

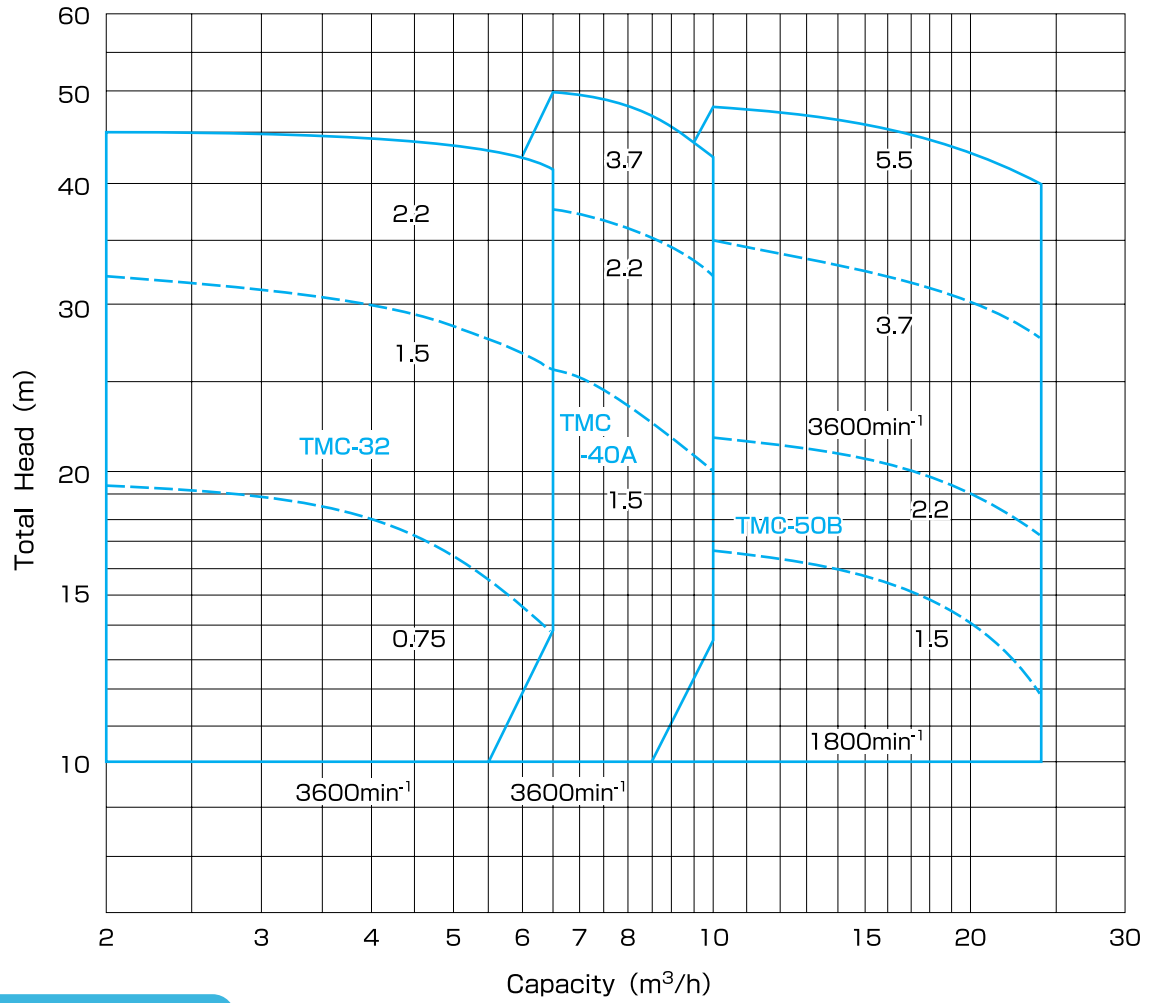
### Structure & Material



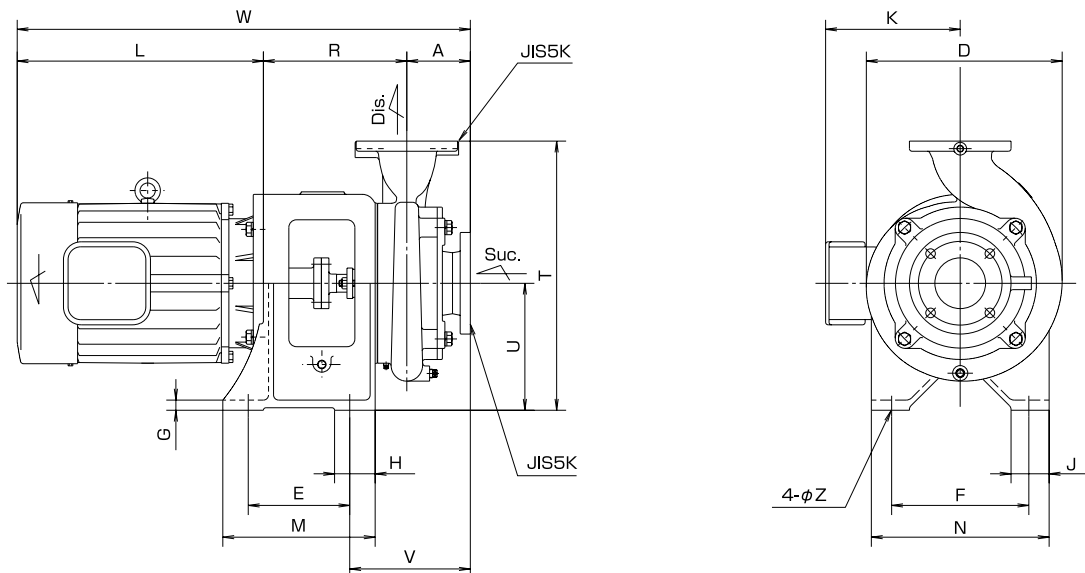
Part No.	Name	Req. No.	Sea Water		Fresh Water	
			Material	JIS	Material	JIS
001	CASING	1	BRONZE	CAC402	CAST IRON	FC200
002	CASING COVER	1	BRONZE	CAC402	CAST IRON	FC200
003	IMPELLER	1	PHOSPHOR BRONZE	CAC502A	PHOSPHOR BRONZE	CAC502A
020	CASING RING	1	BRONZE	CAC402	BRONZE	CAC402
021	CASING RING	1	BRONZE	CAC402	BRONZE	CAC402
050	O-RING	1	RUBBER	NBR	RUBBER	NBR
101	SHAFT	1	STAINLESS STEEL	SUS304	STAINLESS STEEL	SUS304
103	KEY	1	STAINLESS STEEL	SUS304	STAINLESS STEEL	SUS304
120	IMPELLER NUT	1	STAINLESS STEEL	SUS304	STAINLESS STEEL	SUS304

Part No.	Name	Req. No.	Sea Water		Fresh Water	
			Material	JIS	Material	JIS
124	IMPELLER WASHER	1	STAINLESS STEEL	SUS304	STAINLESS STEEL	SUS304
136	SPRING WASHER	1	STAINLESS STEEL	SUS304	STAINLESS STEEL	SUS304
301	COUPLING	1	MILD STEEL	SS400	MILD STEEL	SS400
305	COUPLING BOLT	4	Cr-Mo STEEL	SCM435	Cr-Mo STEEL	SCM435
404	PUMP FRAME	1	CAST IRON	FC200	CAST IRON	FC200
501	GLAND PACKING	4	CARBONIZED FIBER	-	CARBONIZED FIBER	-
503	LANTERN RING	1	BRONZE	CAC402	BRONZE	CAC402
504	GLAND	1	BRONZE	CAC402	BRONZE	CAC402

## Performance



## Dimension



Model No.	Motor		Bore		Dimension (mm)																		
	kW	min <sup>-1</sup>	Suc.	Dis.	A	D	E	F	G	H	J	K	L	M	N	R	T	U	V	W	Z		
TMC-32	0.75	3600	32	32	82	270	120	160	15	50	65	173	260	180	220	160	280	140	156	502	12		
	1.5						140	190															
	2.2						140	190															
TMC-40A	1.5	3600	40	40	80	205	140	190	15	50	65	188	302	200	250	175	320	160	160	557	12		
	2.2																					212	368
	3.7																					212	368
TMC-50B	1.5	1800	50	50	100	265	150	220	15	80	65	188	302	250	280	280	215	370	190	205	627	15	
	2.2						180		18														
	3.7	180					18																
	5.5	200					270		18														80