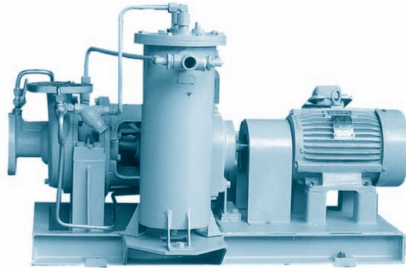


CENTRIFUGAL PUMP

EHC-J



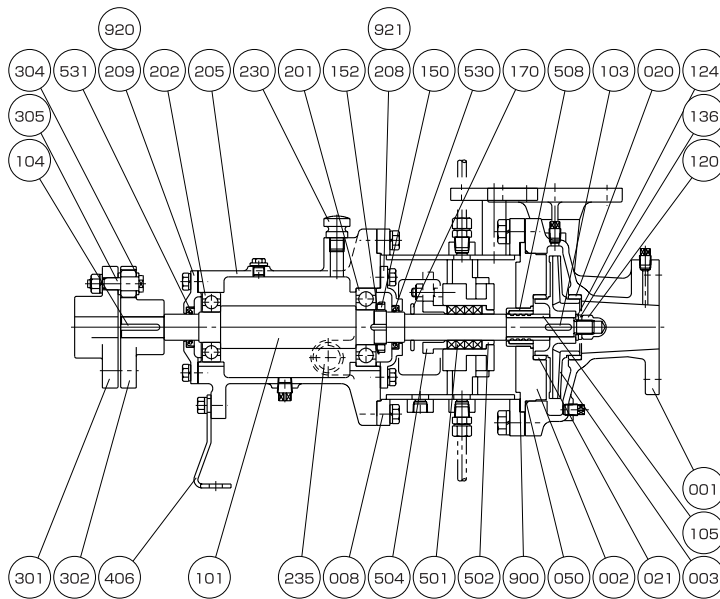
Application

Boiler Water Circulating Pump

Feature

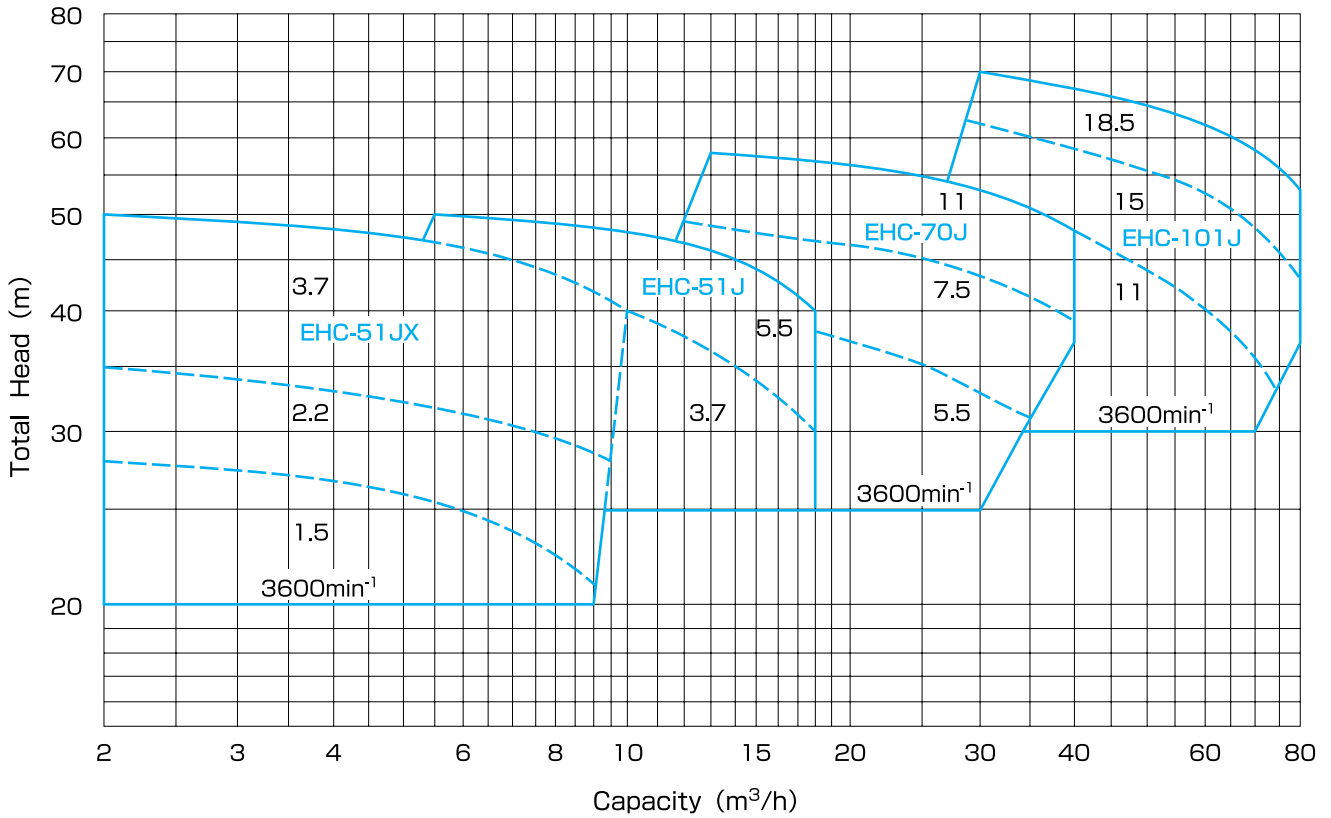
Horizontal Single-stage Single-suction Jacket Type

Structure & Material

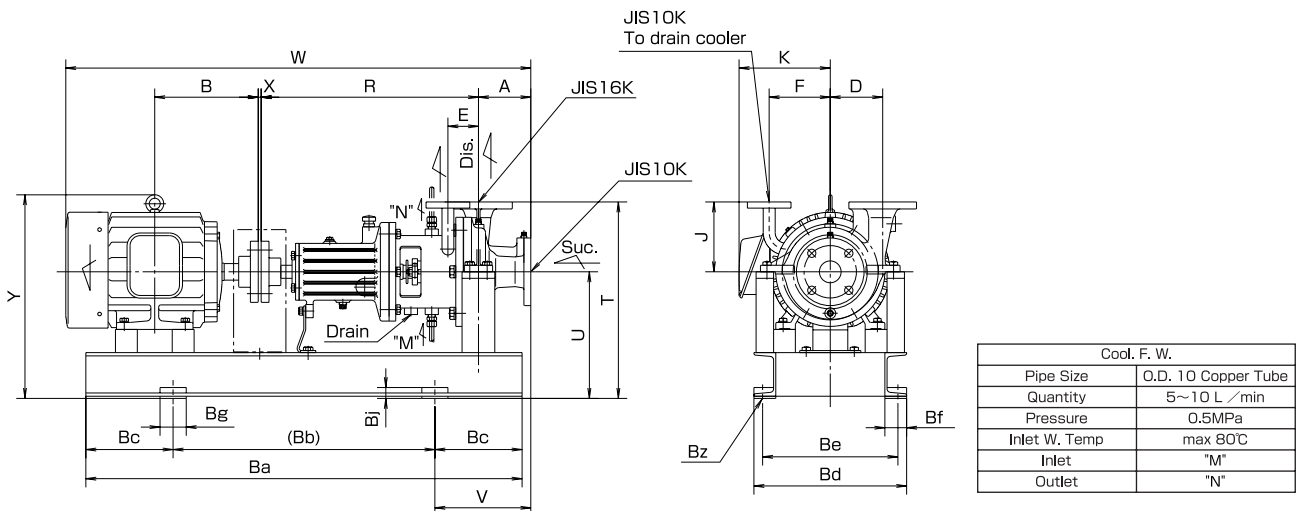


Part No.	Name	Req. No.	Boiler Water		Part No.	Name	Req. No.	Boiler Water	
			Material	JIS				Material	JIS
001	CASING	1	DUCTILE CAST IRON	FC400	205	BEARING HOUSING	1	CAST IRON	FC200
002	CASING COVER	1	MILD STEEL	SS400	208	BEARING COVER	1	CAST IRON	FC200
003	IMPELLER	1	STAINLESS STEEL	SCS13	209	BEARING COVER	1	CAST IRON	FC200
008	STUFFING BOX	1	MILD STEEL	SS400	230	OIL PLUG	1	BRASS	C3602
020	CASING RING	1	CAST IRON	FC200	235	OIL LEVEL GAUGE	1	PLASTIC	-
021	CASING RING	1	CAST IRON	FC200	301	COUPLING	1	CAST IRON	FC200
050	O-RING	1	TEFLON	PTFE	302	COUPLING	1	CAST IRON	FC200
101	SHAFT	1	STAINLESS STEEL	SUS420J2Q	304	COUPLING RING	8	RUBBER	NBR
103	KEY	1	STAINLESS STEEL	SUS304	305	COUPLING BOLT & NUT	8	MILD STEEL	SS400
104	KEY	1	CARBON STEEL	S45C	406	SUPPORT	1	MILD STEEL	SS400
105	SLEEVE	1	STAINLESS STEEL	SUS304	501	GLAND PACKING	4	CARBONIZED FIBER	-
120	IMPELLER NUT	1	STAINLESS STEEL	SUS304	502	NECK BUSH	1	CAST IRON	FC200
124	IMPELLER WASHER	1	STAINLESS STEEL	SUS304	504	GLAND	1	BRONZE	CAC402
136	SPRING WASHER	1	STAINLESS STEEL	SUS304	508	THROTTLE BUSH	1	CARBON	-
150	BEARING NUT	1	MILD STEEL	SS400	530	OIL SEAL	1	RUBBER	NBR
152	BEARING WASHER	1	MILD STEEL	SS400	531	OIL SEAL	1	RUBBER	NBR
170	FLINGER	1	STAINLESS STEEL	SUS304	900	GASKET	1	PAPER	-
201	BALL BEARING	1	BEARING STEEL	SUJ2	920	GASKET	1	PAPER	-
202	BALL BEARING	1	BEARING STEEL	SUJ2	921	GASKET	1	PAPER	-

Performance



Dimension



Cool. F. W.	
Pipe Size	O.D. 10 Copper Tube
Quantity	5~10 L / min
Pressure	0.5MPa
Inlet W. Temp	max 80°C
Inlet	"M"
Outlet	"N"

Model No.	Motor		Bore		Dimension (mm)																						
	kW	min ⁻¹	Suc.	Dis.	A	B	D	E	F	J	K	R	T	U	V	W	X	Y	Ba	Bb	Bc	Bd	Be	Bf	Bg	Bj	Bz
EHC-51J	3.7	3600	50	50	120	200	120	70	140	160	212	500	450	290	195	1021	3	436	900	550	175	350	310	50	60	25	4-φ19
	5.5					239					245				220	1077		448	1000	600	200						
EHC-51JX	1.5	3600	50	50	120	168.5	120	70	140	160	188	500	450	290	195	954	3	385	900	550	175	350	310	50	60	25	4-φ19
	2.2					200					212							436									
	3.7					200					212							436									
EHC-70J	5.5	3600	65	65	120	239	140	81	140	210	245	500	490	290	220	1077	3	448	1000	600	200	430	390	50	60	25	4-φ19
	7.5					323					285					1231		520	1100	400	150						
	11					323					285					1231		520	1100	400	150						
EHC-101J	11	3600	100	100	120	323	120	90	140	210	285	585	490	310	170	1316	3	540	1200	450	150	450	410	50	60	25	6-φ19
	15					345					285					1358											
	18.5					345					285					1358											